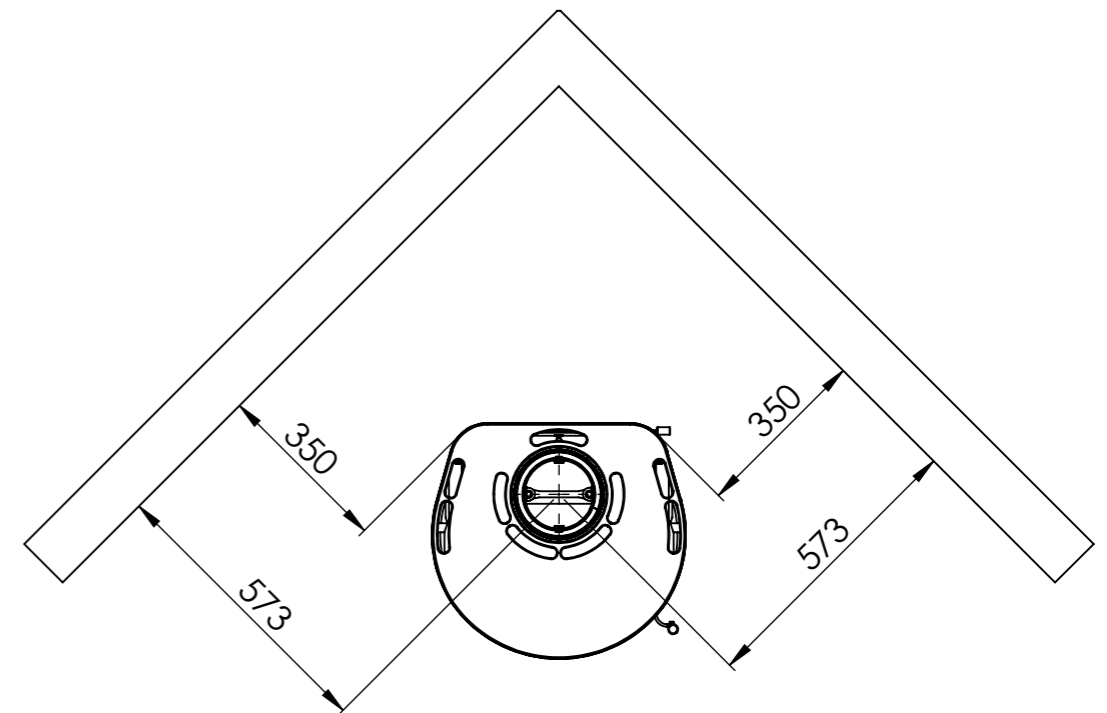
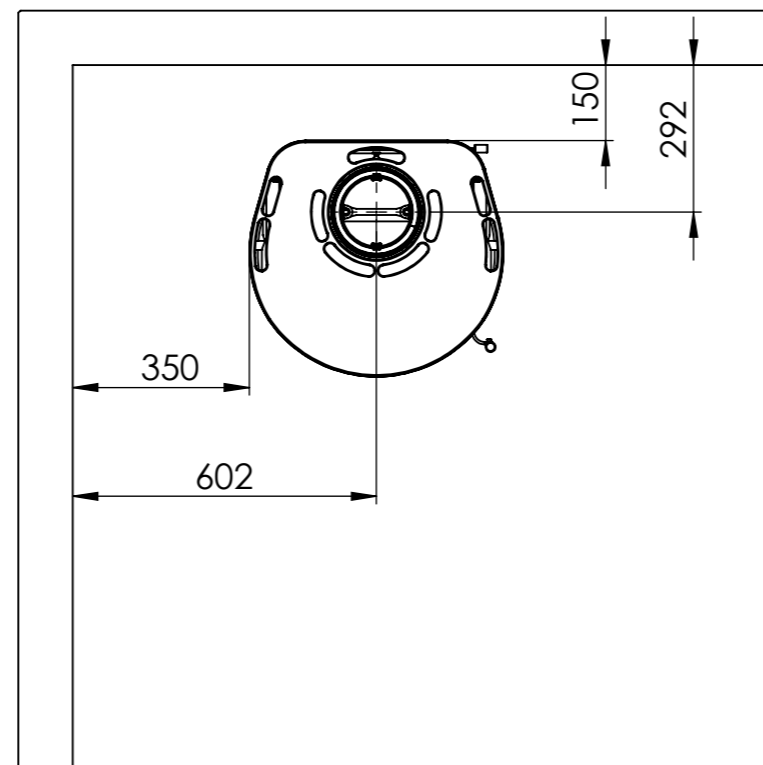
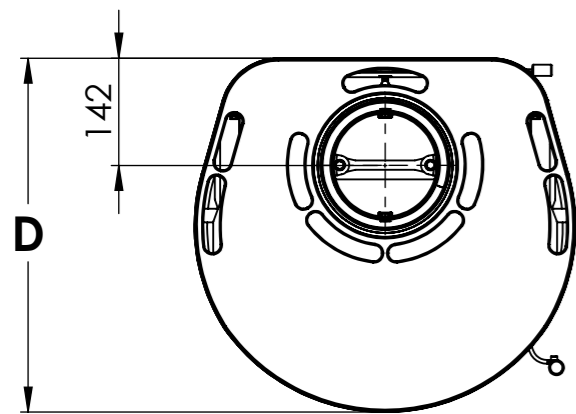
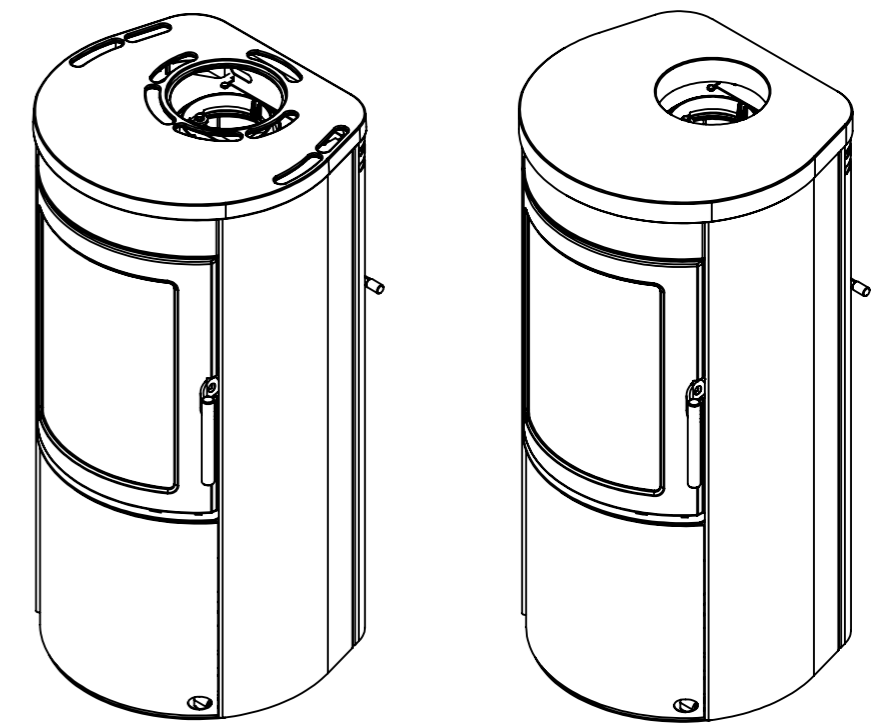
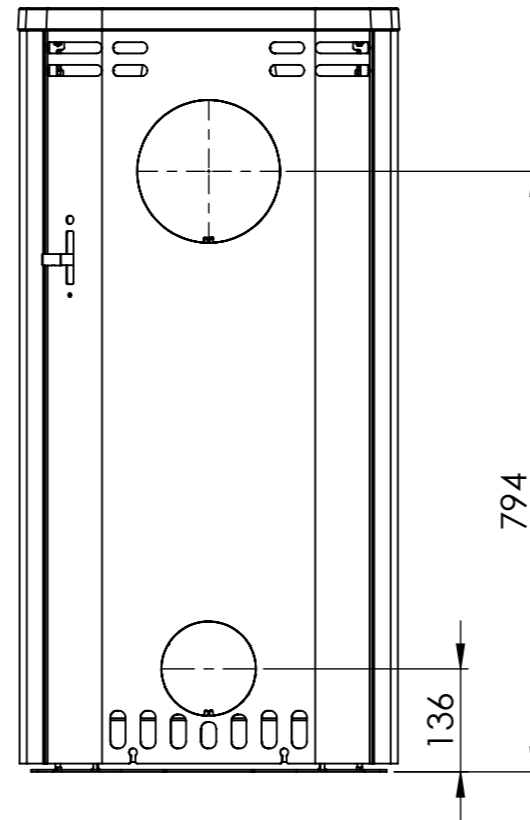
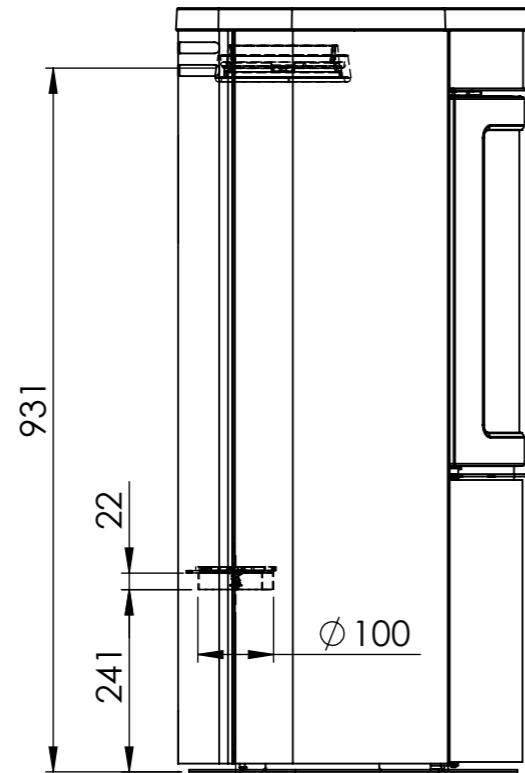
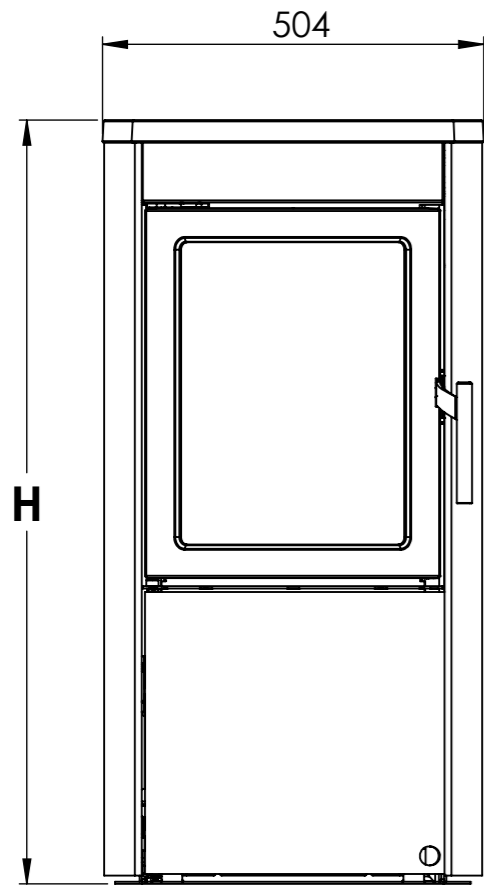




Serie	Scan-Line 500
Description	Scan-Line 500 Steel



	Casted top	Stone top
<b>D</b>	468	469
<b>H</b>	1010	1020

76 Center fresh air bottom