

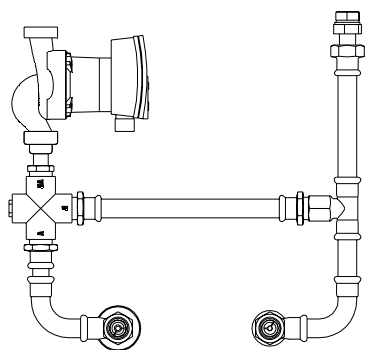


UK

Installation Instructions

Aqua Performance Kit

Scan-Line 800/805 Aqua Series



Ordernumber: 0037-1400

Rev. 1.02

Dear customer

Please read these installation instructions prior to installation and operation to avoid personal injury or damage to building elements or the product.

These instructions explain how to install the Heta Aqua Performance Kit (APK) on the Scan-Line 800 Aqua wood-burning stove series.



Installation may only be carried out by an authorised plumber / electrician.

HETA A/S

Copyright © 2014. HETA
Jupitervej 22, DK-7620
Lemvig, Denmark

Phone +45 96 63 06 00

E-mail: heta@heta.dk

Errors and omissions
excepted

Heta is a registered
trademark of Heta A/S

Printed in Denmark

1. edition, 2015

Revision 1.02

Table of contents

Statutory safety requirements	4
Warranty claim conditions	4
Installing the cooling kit (thermostatic valve)	5
Installing the Aqua Performance Kit (mixer circuit)	6
Step 1	7
Step 2	8
Step 3	9
Step 4	10
Step 5	11
Step 6	12
Step 7	13
Step 8	14
Step 9	15
Statutory safety requirements for water tanks	17
Installation recommendation	
Central heating system	18
Central heating system with a solar collector	19
Central heating system (return)	20
Connection diagram	21
Danfoss KP78 & Wilo Yonos PICO circ. pump	
Nameplate	23
Service & Warranty	23
Spare parts	24
Troubleshooting FAQ	25

Statutory safety requirements

Installation must be carried out by an authorised plumber/electrician. These instructions must be observed, otherwise all warranty will be void.



Safety instructions must be followed correctly to avoid serious damage or injury.

In Denmark, observe:
The current legislative requirements.

In other countries, observe:
The current legislative requirements.

Warranty claim conditions

We have worked hard to deliver a quality Danish product, subject to rigorous inspection. In the unlikely event that material or manufacturing defects are discovered:

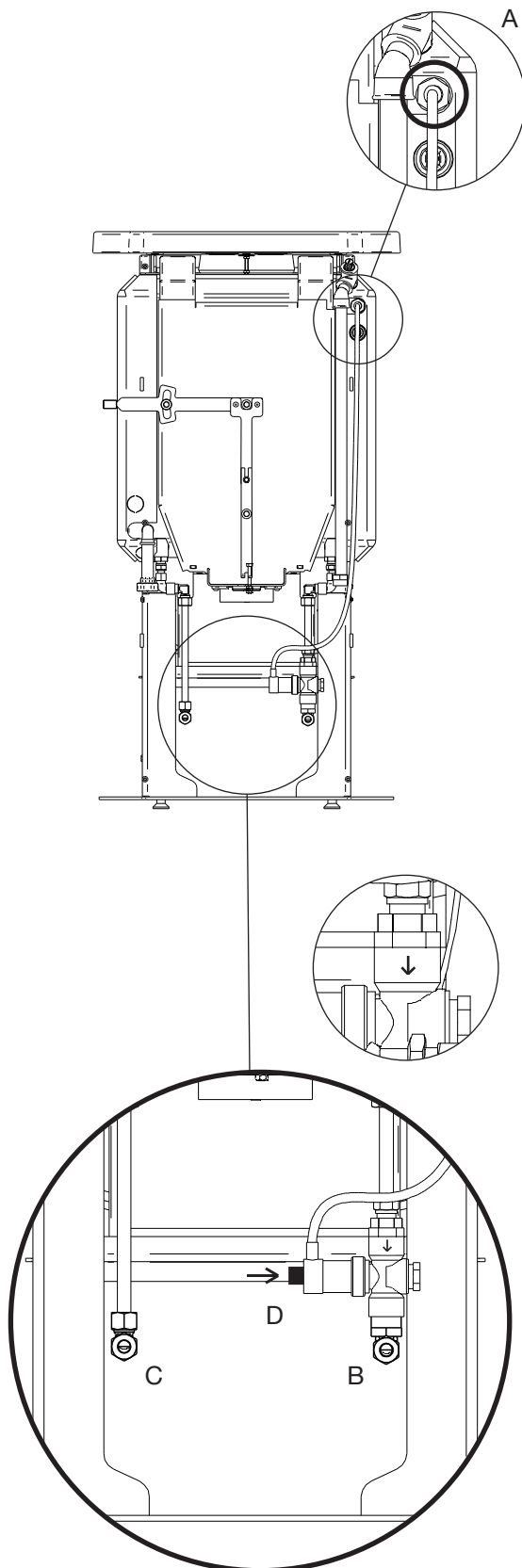
Heta provides manufacturer warranty in accordance with the applicable commercial law. Simply contact your dealer, presenting your invoice, and they will contact the manufacturer.

The installing tradesman is responsible for instructing the consumer how to operate and maintain the wood-burning stove. The Danish

Working Environment Authority stipulates that the user guide must be stored in proximity to the wood-burning stove.

If the stove fails to operate correctly, contact the installing tradesman.

Installing the cooling kit (thermostatic valve)



The cooling kit is always included with the Scan-Line 800 series Aqua wood-burning stoves. The kit is intended for closed units and systems where it is imperative that the boiler is not damaged in any way.

The cooling kit must always be installed **before** beginning installation of the Aqua Performance Kit (APK), and in the following sequence:

1. Attach a Conex elbow to each copper pipe.
2. Attach a Conex elbow to each Conex elbow.
3. Point 2: install 220 mm copper pipe.
4. Point 1: install 130 mm copper pipe.
5. Point 2: install Conex elbow.
6. Point 1: install Conex 12 x 3/4" nipple on thermostatic valve, and install Conex 12 x 3/4".
7. Place the thermostatic valve sensor in sensor pocket 1 as shown at **A** on the diagram.

Water supply

Ensure that the system's water supply (shown at **C** on the diagram) has a maximum water temperature of 12°C and a constant initial pressure of at least 2.5 bar.

A correct water pressure of 2.5 bar corresponds to filling a 10-litre bucket in 1 minute.

Outlet

The outlet shown at point **B** on the diagram must be run to an unobstructed drain and the end of the pipe should be cut at 45°.

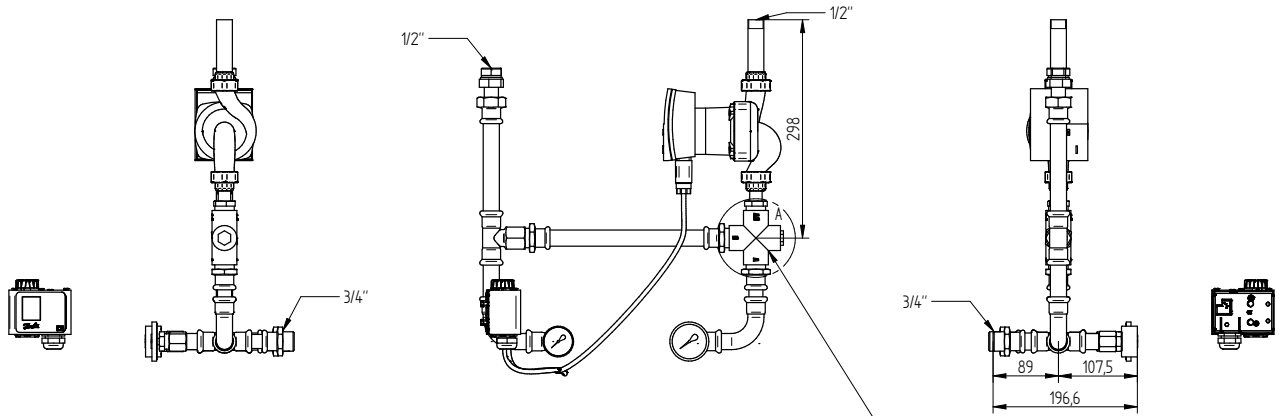
Testing

Once installation is complete, turn on the water supply. Check that the thermostatic valve is properly sealed by inspecting for any water leak from the drain (at **B** on the diagram).

Periodic inspection

The safety valve shown at **D** on the diagram should be tested twice a year. If it does not function properly, the wood-burning stove must not be used.

APK Overview



The three-way valve must be installed correctly and completely in line with these instructions.

If the valve is not correctly oriented, the circuit will not function and material damage might occur which is not covered by the warranty.



Please therefore note carefully how the ends labelled **A**, **B** and **AB** are connected!

The Aqua Performance Kit (APK) comprises a number of components, as illustrated in the above diagrams.

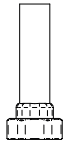
It is important that components are installed in the correct order, paying attention to the details specified.



Pack all threaded ends - with no exceptions!

APK kit installation

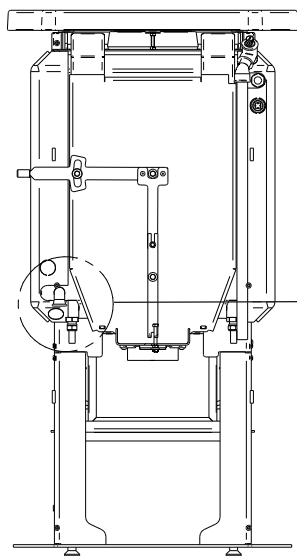
Step 1



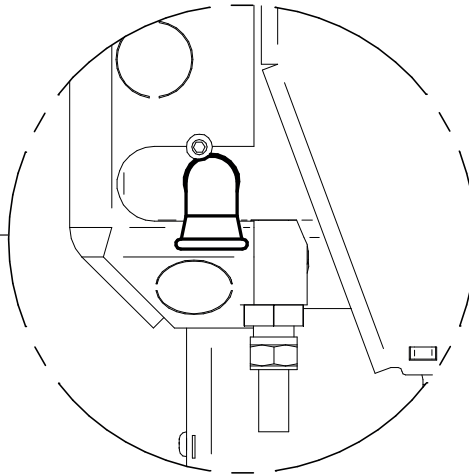
①

1.0.1 - illustration 1

Fit the brass nipple (1/2" x 80 mm) and pump union on the pipe together.

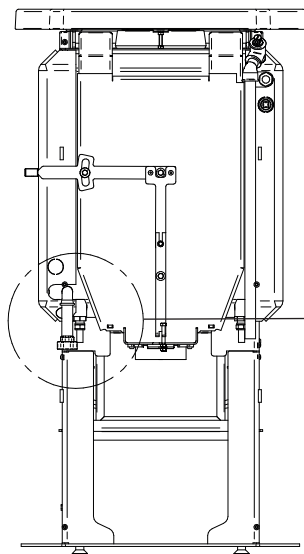


②

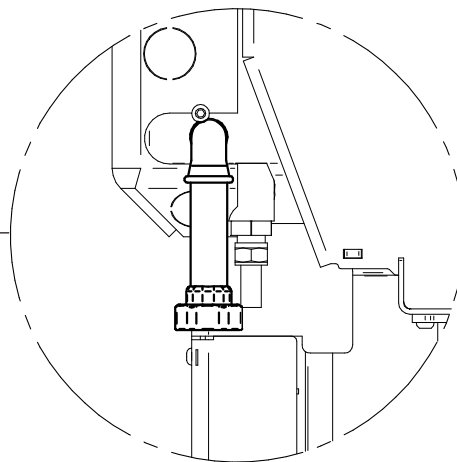


1.0.2 - illustration 2

Attachment point on the boiler.



③



1.0.3 - illustration 3

Tighten the component in place on the boiler.

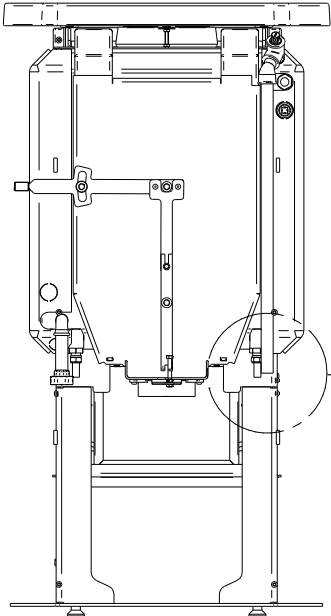
APK kit installation

Step 2

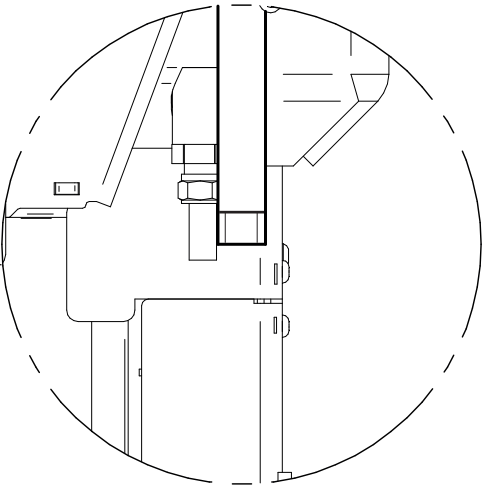


①

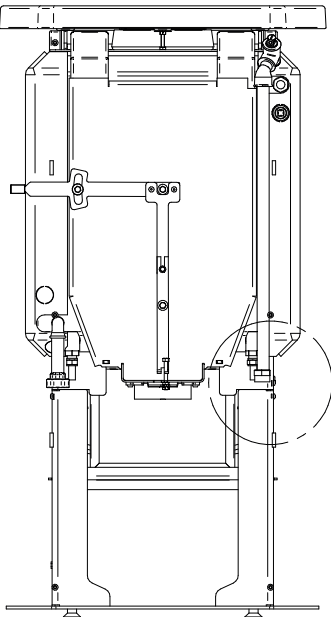
2.0.1 - illustration 1
1/2" union (sleeve)



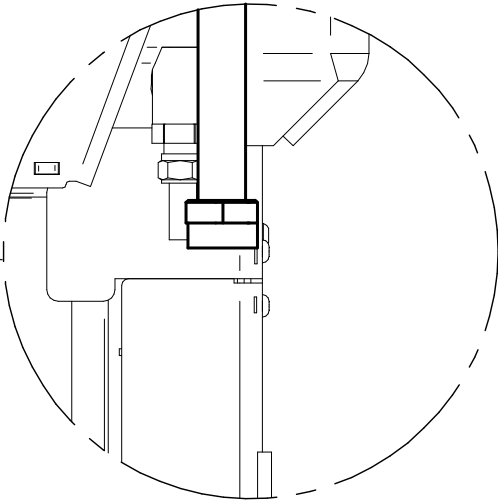
2.0.2 - illustration 2
Attachment point on the boiler.



②



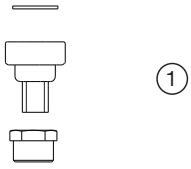
2.0.3 - illustration 3
Fit the 1/2" union (sleeve) to the 1/2" black pipe.



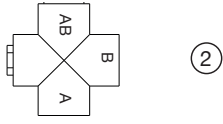
③

APK kit installation

Step 3



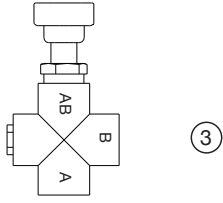
3.0.1 - illustration 1
 Connect the pump union to the 3/4" x 1/2" brass nipple sleeve.



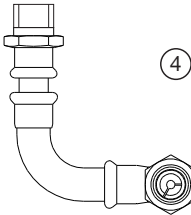
3.0.2 - illustration 2
 Thermostatic valve with (AB) facing upwards



A torque wrench must be used when fitting the three-way valve, and torque must not exceed 30 N



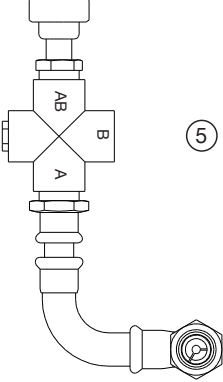
3.0.3 - illustration 3
 Attach to the (AB) end of the thermostatic valve.



3.0.4 - illustration 4
 Assembly piece 1.



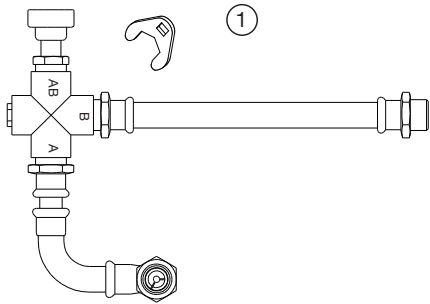
A torque wrench must be used when fitting the three-way valve, and torque must not exceed 30 N



3.0.5 - illustration 5
 Attach to the (A) end of the thermostatic valve.

APK kit installation

Step 4

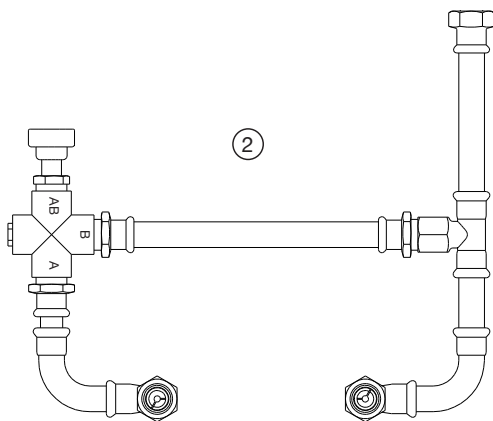


4.0.1 - illustration 1

Install 1/2" union (nipple) on assembly piece 2..

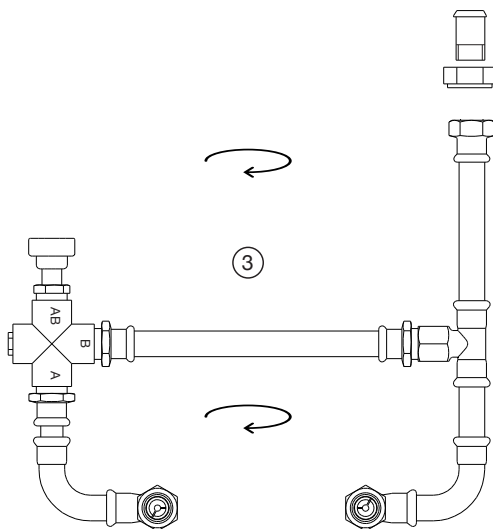


A torque wrench must be used when fitting the three-way valve, and torque must not exceed 30 N



4.0.2 - illustration 2

Connect assembly piece 3 to the thermostatic valve (B) end and assembly piece 2.



4.0.3 - illustration 3

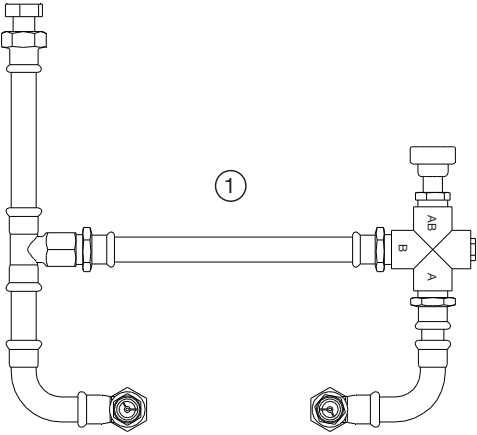
Pack the thread on the straight 1/2" radiator union (pos. 3) and tighten in place using a 12mm hex key.

Then rotate the fixture 180 degrees.



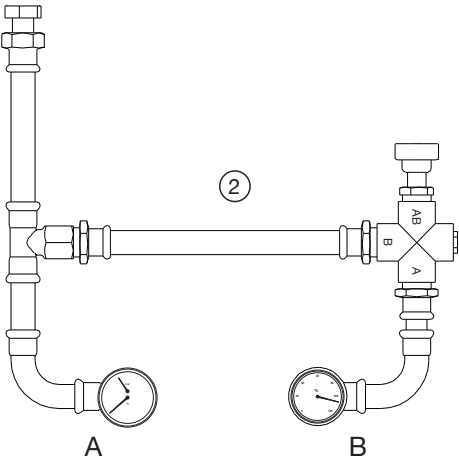
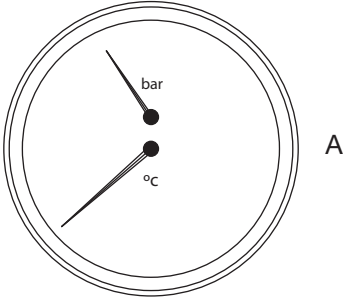
APK kit installation

Step 5



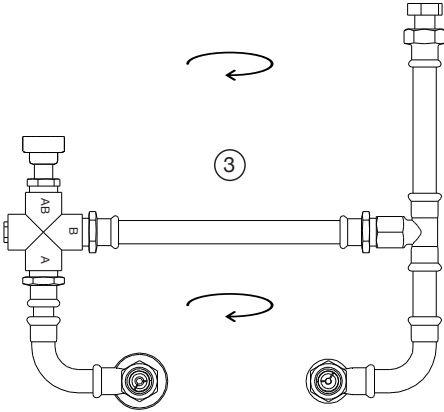
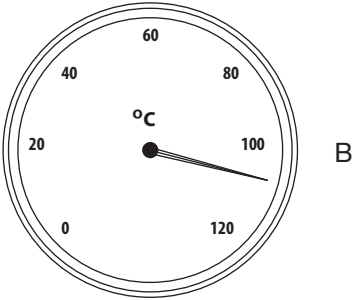
5.0.1 - illustration 1

Assembly piece 2 is on the left side.
 Assembly piece 1 and the thermostatic valve are on the right side.



5.0.2 - illustration 2

Attach the thermo-manometer (A) to assembly piece 2. Attach the thermometer (B) to assembly piece 1.

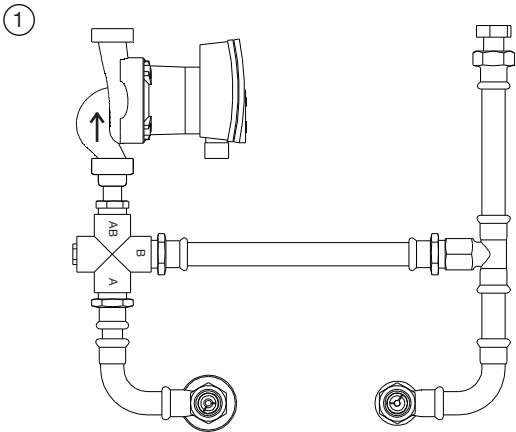


5.0.3 - illustration 3

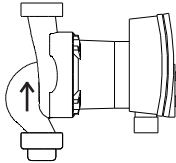
Rotate the fixture 180 degrees.

APK kit installation

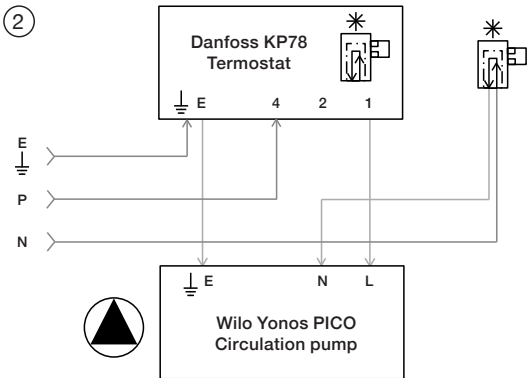
Step 6



6.0.1 - illustration 1
Attach the WILO pump to the fixture as shown.



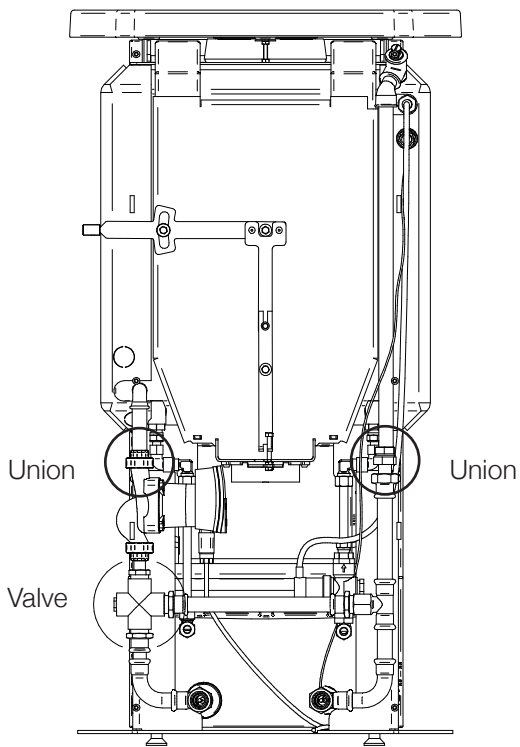
6.0.2 - illustration 2
Attach wires to the pump socket and Danfoss thermostat as shown in the diagram on page 21.



APK kit installation

Step 7

①



7.0.1 - illustration 1

Attach the fixture to the stove such that the three-way valve and pump are positioned on the left.

7.0.2

Finger-tighten both unions to pre-install the fixture on the stove.

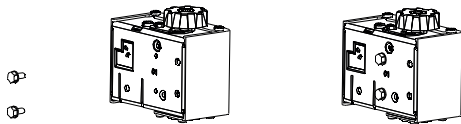
7.0.3

Use appropriate tools to tighten both unions.

APK kit installation

Step 8

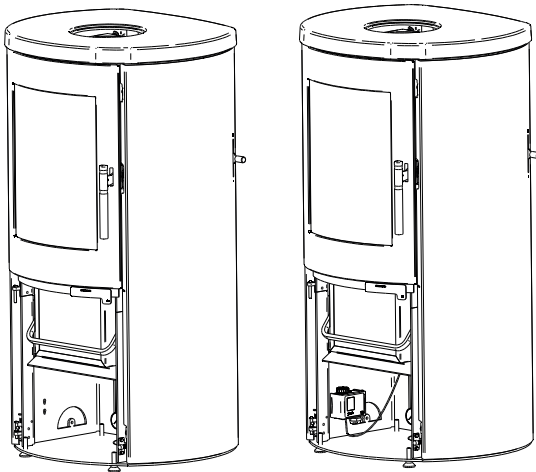
①



8.0.1 - illustration 1

Fit two 4 x 10 mm screws to the Danfoss KP78 thermostat using a flat-head screwdriver.

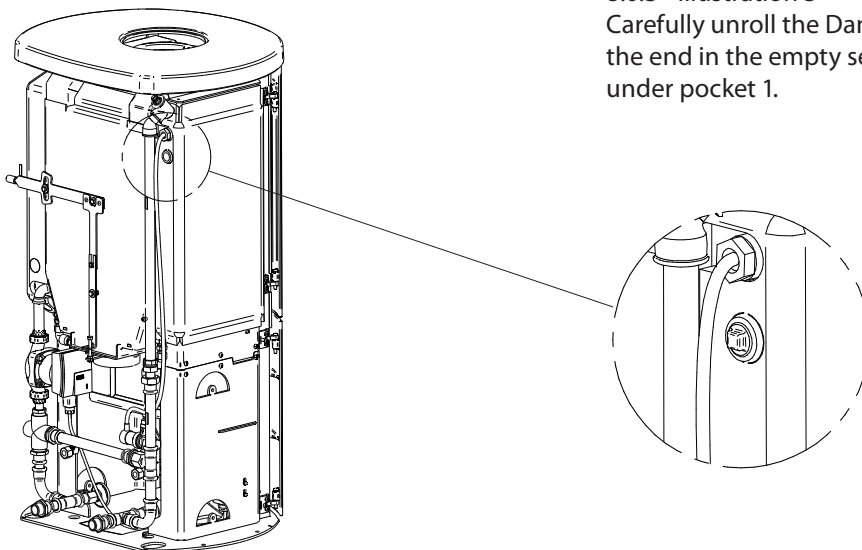
②



8.0.2 - illustration 2

Attach the Danfoss KP78 thermostat inside the base of the stove.

③

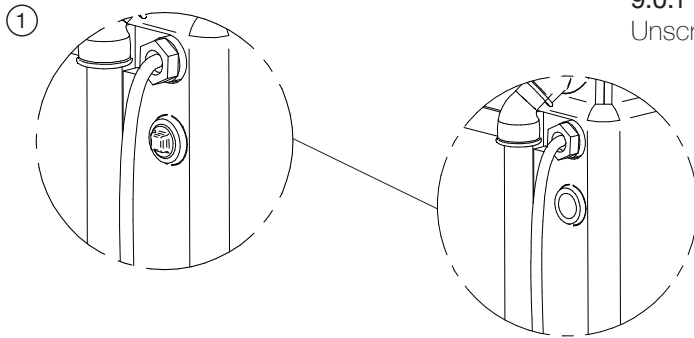


8.0.3 - illustration 3

Carefully unroll the Danfoss thermostat and insert the end in the empty sensor pocket 2, located under pocket 1.

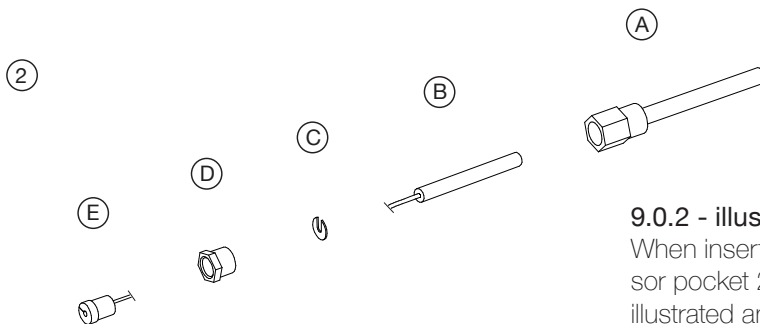
APK kit installation

Step 9



9.0.1 - illustration 1

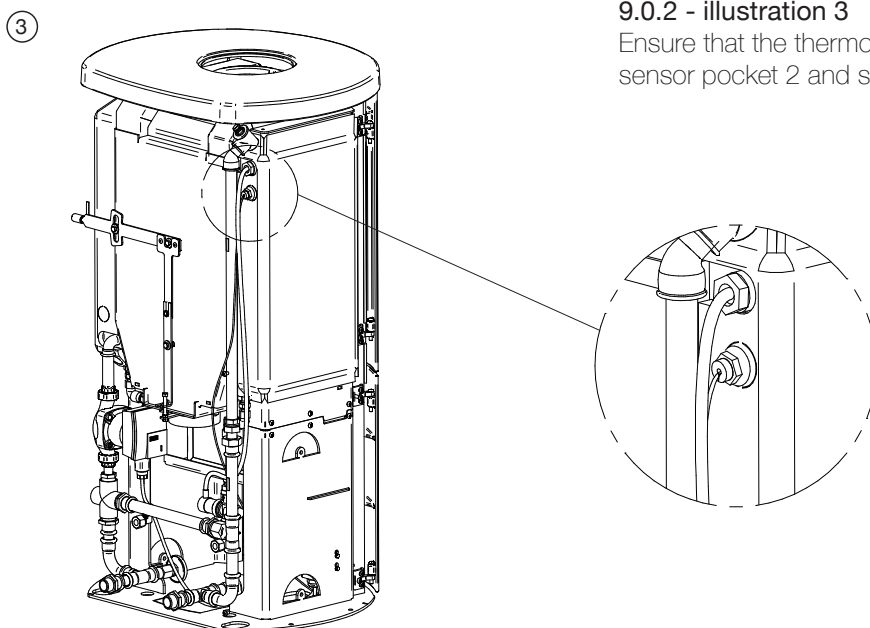
Unscrew the plug from sensor pocket 2.



9.0.2 - illustration 2

When inserting the end of the thermostat in sensor pocket 2, assemble its five components as illustrated and in this order:

A -> B -> C -> D -> E



9.0.2 - illustration 3

Ensure that the thermostat is securely in place in sensor pocket 2 and sealed.

This page is empty

Statutory safety requirements for water tanks

In Denmark, installation of water tanks must observe applicable legislation. Currently this is Danish Working Environment Authority (AT) Guideline 8.4.8 for Technical Devices.

In other countries, installation must always observe applicable legislation.

If the water in the tank/boiler reaches boiling point, it will be discharged through the safety valve, and the tank/boiler will then be cooled.












Domestic water must always be connected to the safety valve, and there must be unobstructed drainage.






If the safety valve has been open, it will close automatically once the tank/boiler cools down.

Following opening of the safety valve, inspect the valve's discharge pipe to see if it is sealed. Otherwise contact your dealer or a plumber.

Installation recommendation central heating system

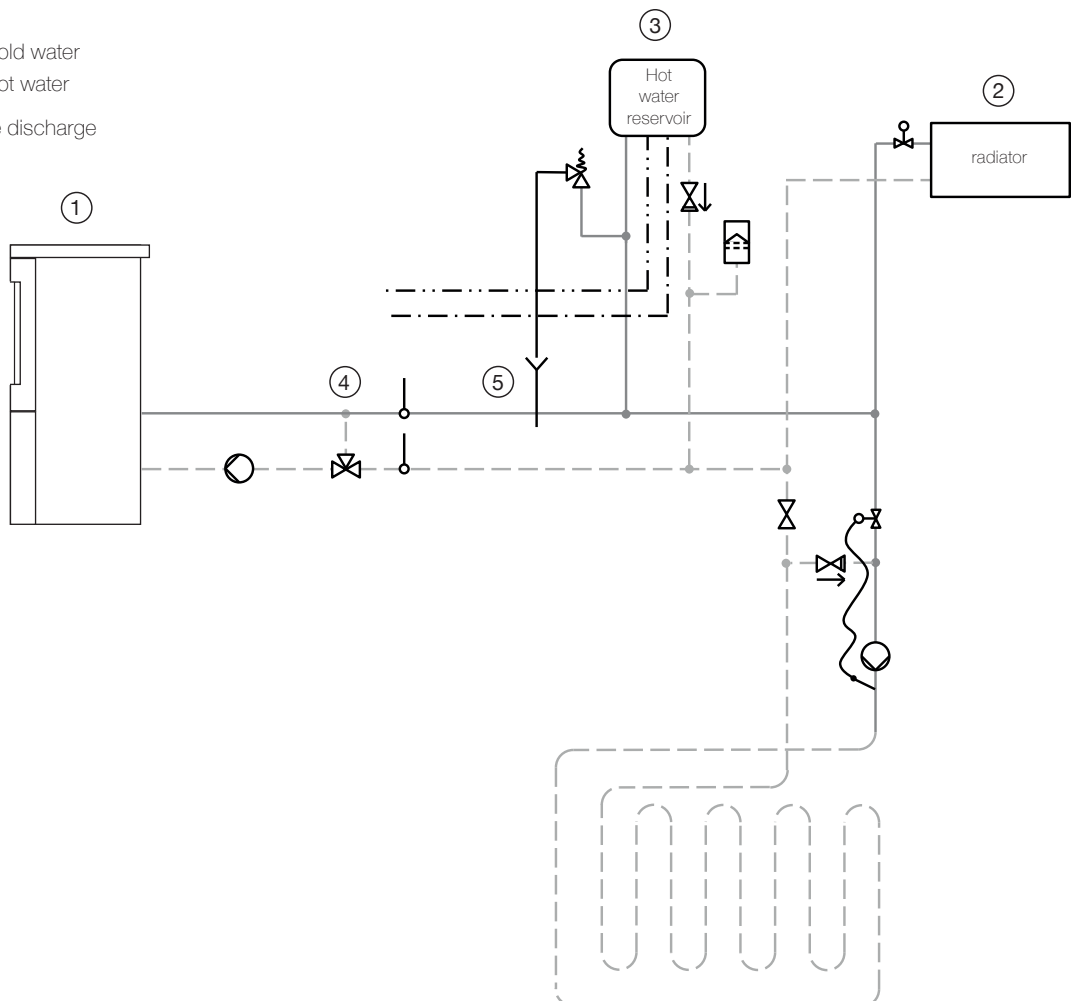
Key:

-  Pump
-  3-way valve
-  Shut-off valve
-  Safety valve
-  Thermostatic valve
-  Check valve
-  Thermometer
-  Sensor
-  Closed expansion tank

-  Flow
-  Return
-  Domestic cold water
-  Domestic hot water
-  Safety valve discharge








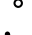

Arrangement:



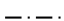


- 1) Heta wood-burning stove.
- 2) Radiator.
- 3) Hot-water tank.
- 4) Manometer must show water pressure of at least 1 bar. Read the manometer on the front left side of the stove.
- 5) The safety valve discharge must be unobstructed.



Installation recommendation central heating system (return)

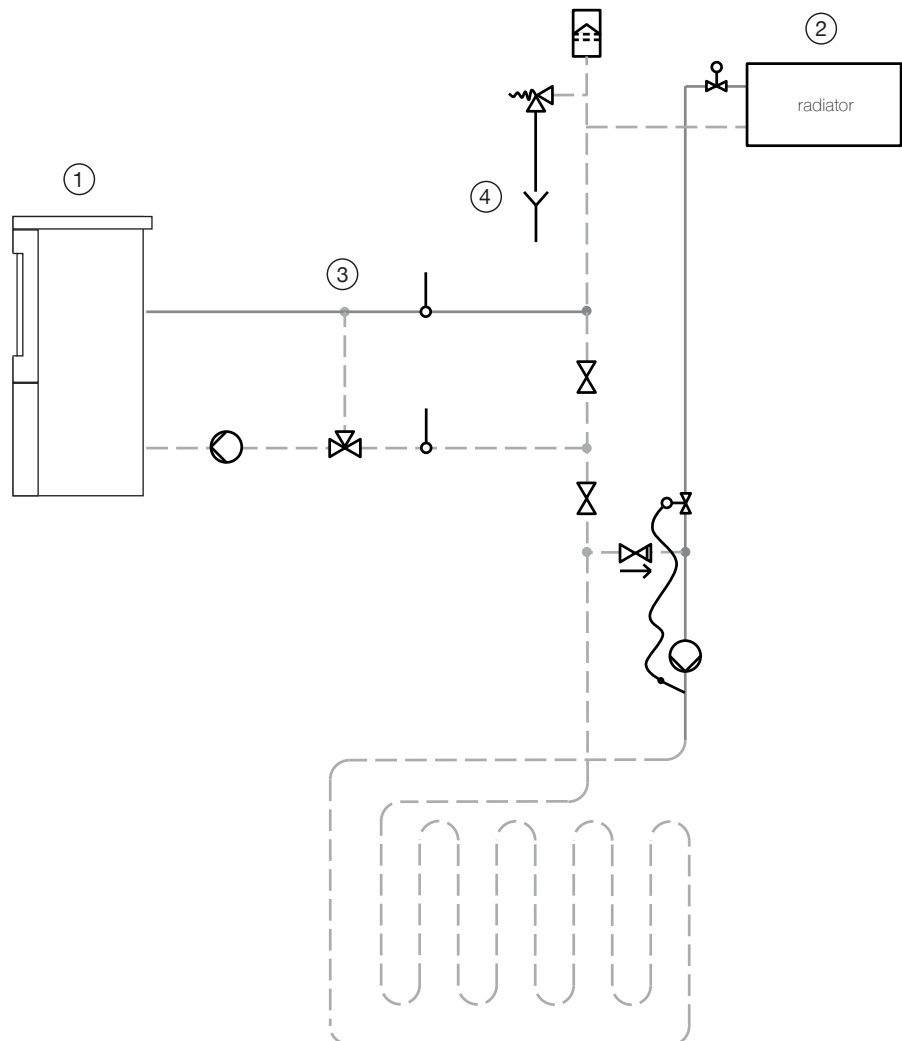
Key:

-  Pump
-  3-way valve
-  Shut-off valve
-  Safety valve
-  Thermostatic valve
-  Check valve
-  Thermometer
-  Sensor
-  Closed expansion tank

-  Flow
-  Return
-  Domestic cold water
-  Domestic hot water
-  Safety valve discharge

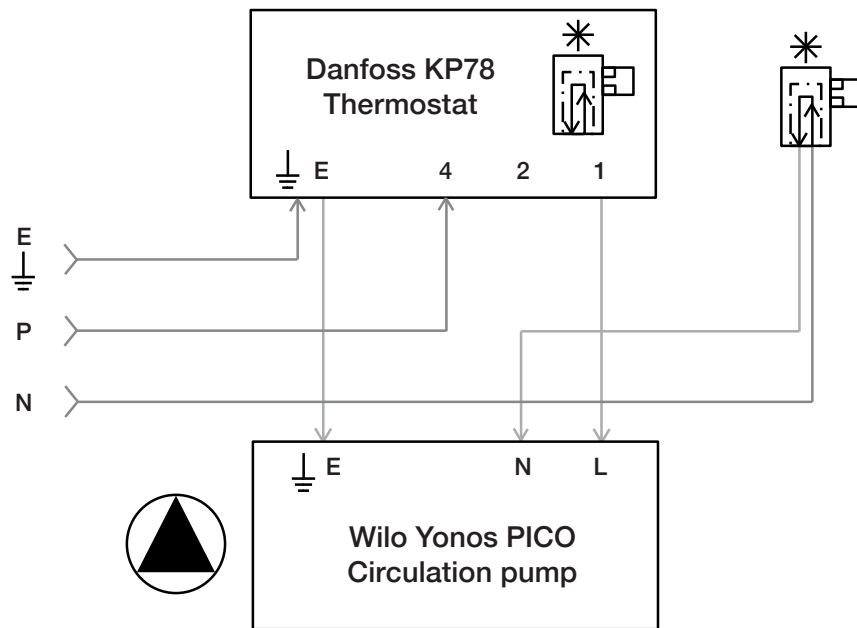
Arrangement:

- 1) Heta wood-burning stove.
- 2) Radiator.
- 3) Manometer must show water pressure of at least 1 bar. Read the manometer on the front left side of the stove.
- 4) The safety valve discharge must be unobstructed.



Connection diagram

Danfoss KP78 & Wilo Yonos PICO circ. pump





Nameplate

When contacting your dealer or Heta Technical Service, you must specify the model and serial number on the stove.

Both of these are shown on the nameplate. On a Scan-Line 800 series this is located:

- 1) On stoves with an ash pan door, the nameplate is on the inside of the bottom front door.

Service & Warranty

Service

Contact your dealer for service or assistance. Where this is not possible, consumers are always welcome to contact Heta Technical Service directly on +45 9663 0600 or via email at heta@heta.dk

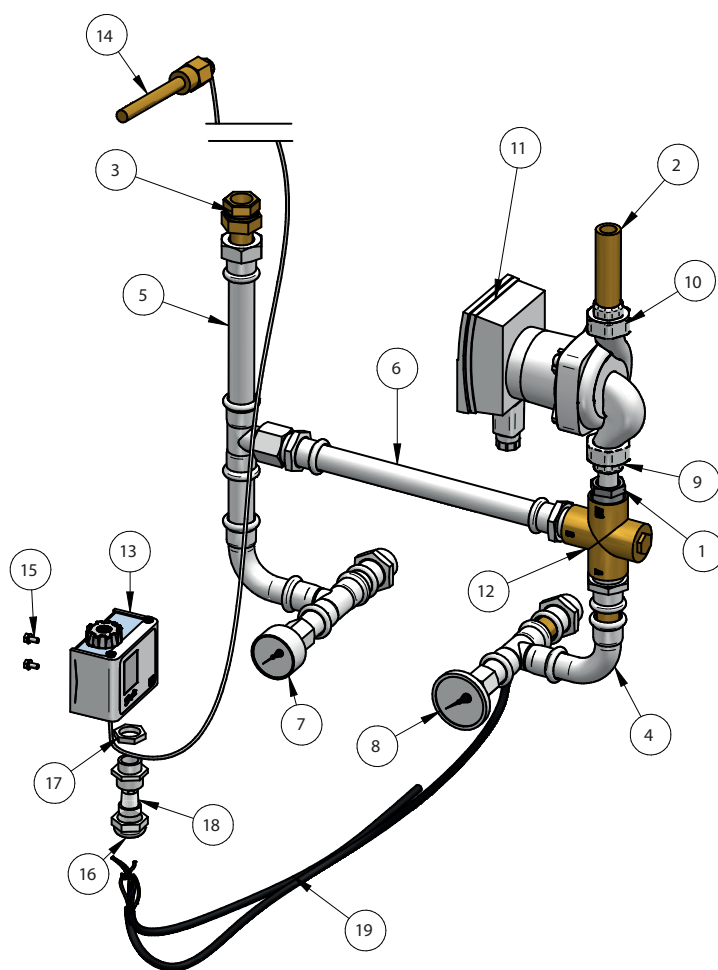
The warranty covers:

New stoves shipped from the factory designed for private households and used as directed. Manufacturing or material defects, if these are discovered through normal use of the product.

The warranty does not cover:

Faults or damage arising directly or indirectly from overload, incorrect operation, misuse, careless handling, lack of maintenance, incorrect installation or connection, voltage fluctuations and electrical disturbances, or repairs carried out by anyone other than an authorised Heta dealer. Faults or damage arising from the commercial or other use of products designed for private households. Compensation for any consequential losses, including damages to other objects, people, operating losses etc., except where stipulated by law.

Spare parts



Nr.	Part Number.	Titel	Antal
1	0006-3005	Brass nipple sleeve 3/4" - 1/2"	1
2	0006.3006	Brass nipple pipe 1/2" - 80 mm	1
3	0006-3007	Radiator union 1/2" straight	1
4	0006-5032	Return-side pipe set	1
5	0006-5033	Supply-side pipe set	1
6	0006-5034	Middle pipe set	1
7	0006-5035	Thermo-manometer 4 bar	1
8	0006-5036	Thermometer 1/2" x 63mm 0-120 degree	1
9	0006-5037	Pump union bottom 1/2" for Wilo pump	1
10	0006-5038	Pump union top 1/2" for Wilo pump	1
11	0006-5039	Wilo Yonos Pico 15.1-4-4164000	1
12	0006-5040	ModvlvS 740 series 55°C three-way valve	1
13	0006-5041	Danfoss KP78 (060L1184) immersion thermostat	1
14	0006-5042	Danfoss T/RAVV/RT immersion pocket	1
15	0008-0038	M4 x 10	1
16	0010-0306	M20 union	1
17	0010-0307	M20 lock nut	1
18	0010-0308	Multi-hole M20 2x5 packing	1
19	5032-0027	SL 800 Aqua wiring harness	1

Troubleshooting FAQ

A number of technical and operational issues may occur during and after installation of an aqua wood-burning stove.

Since we continually accumulate experience and add good advice for handling these, this information will only be available on our website.

Go to www.heta.dk/faq or scan the following QR code.



