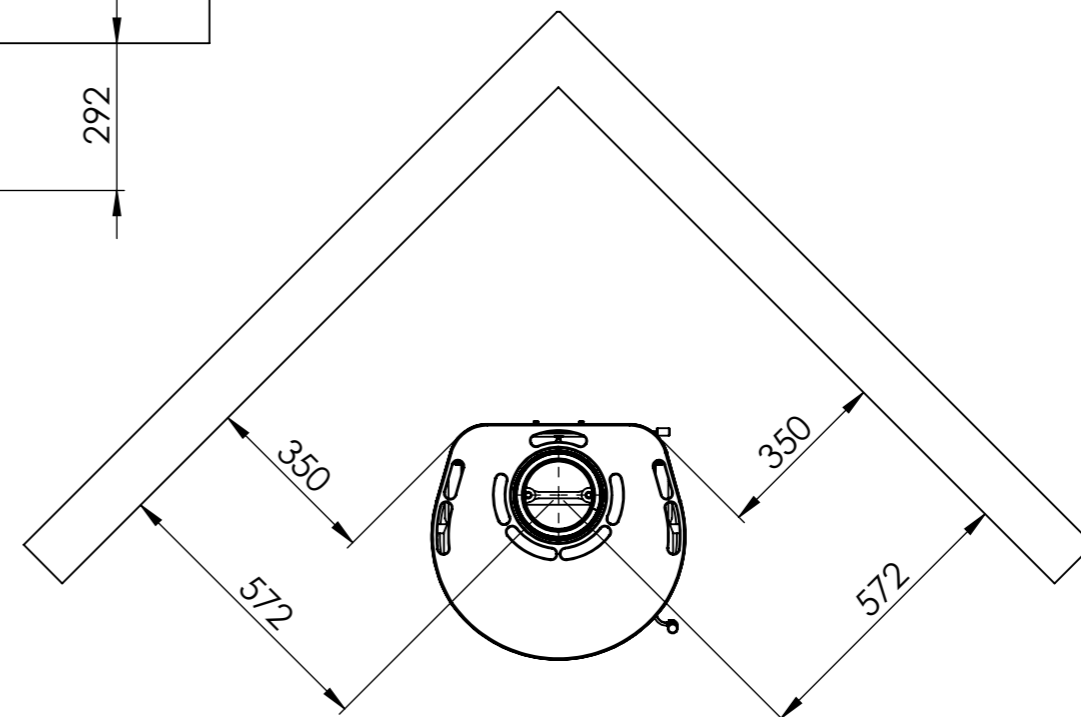
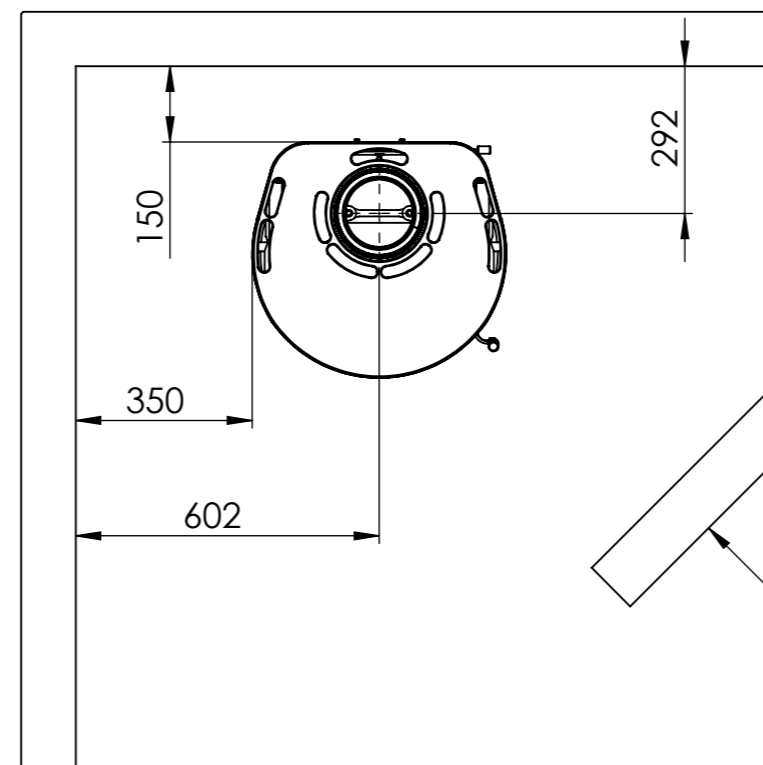
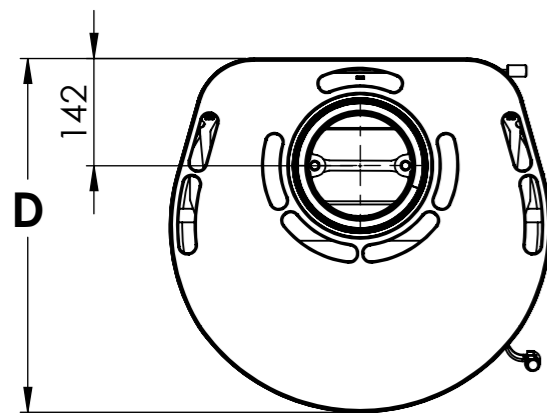
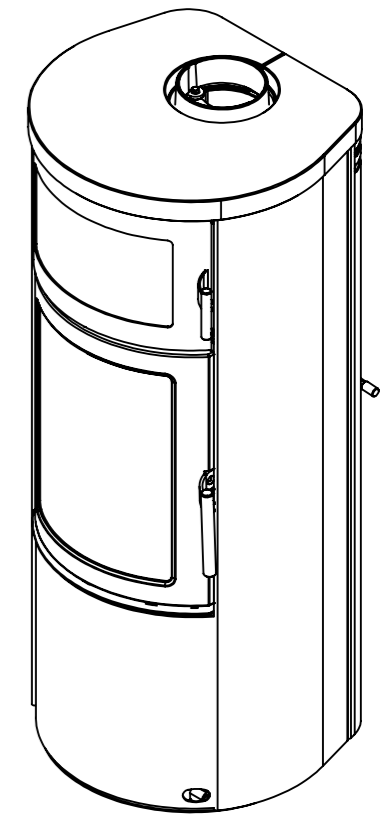
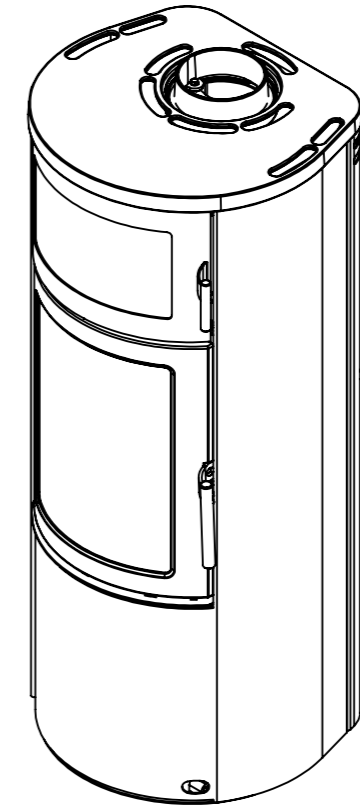
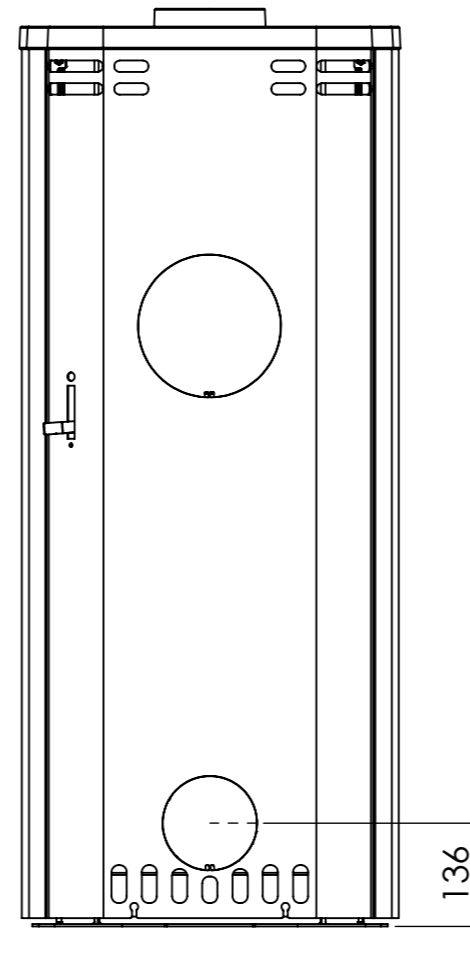
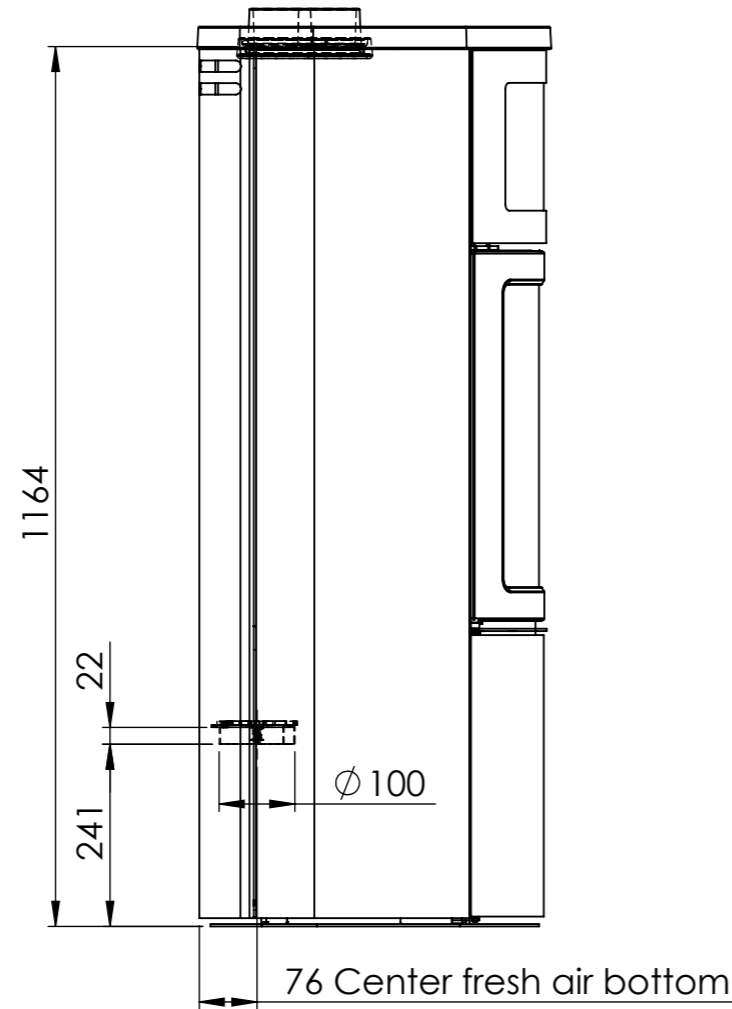
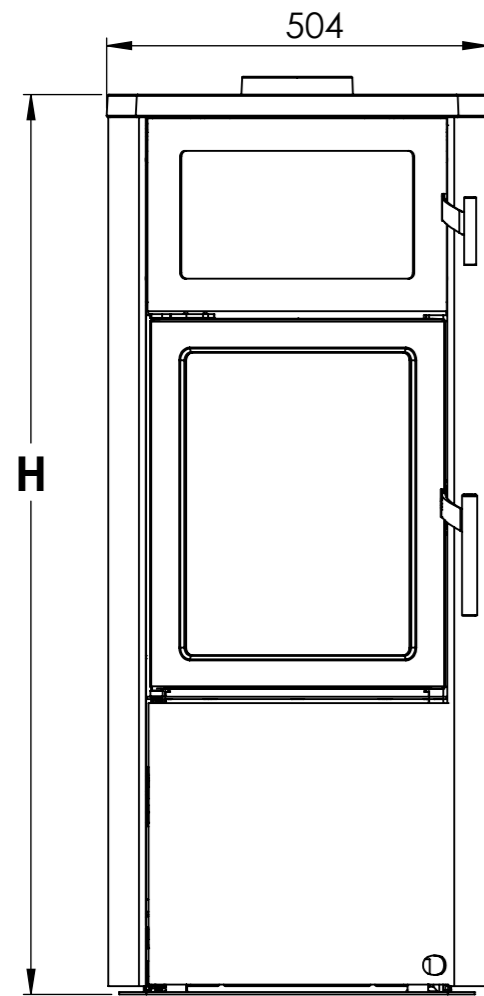




Serie	Scan-Line 500
Description	Scan-Line 520B Steel



	Casted top	Stone top
D	468	469
H	1190	1200