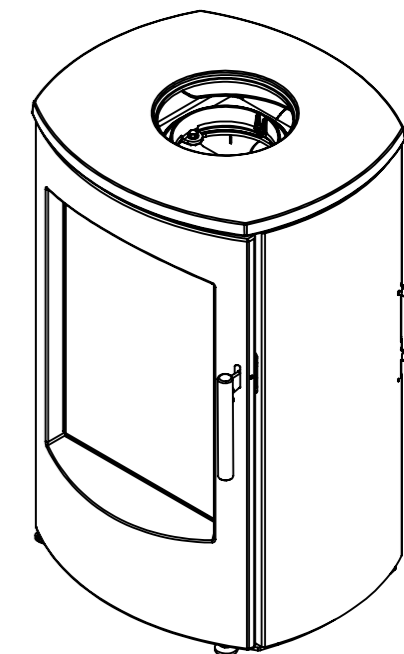
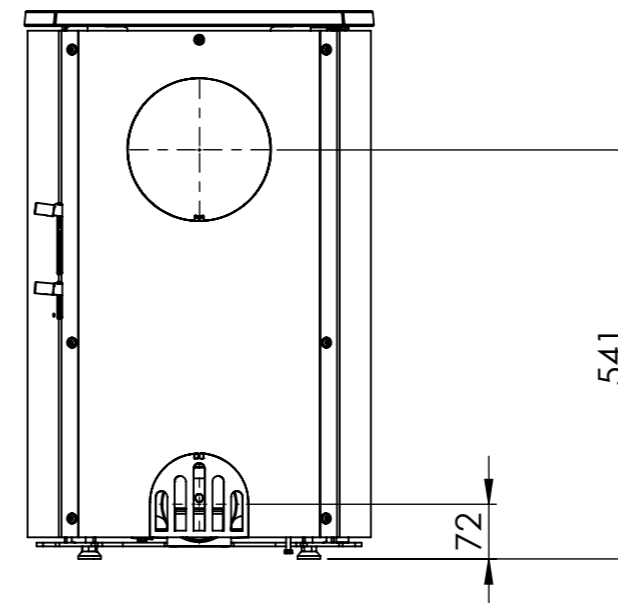
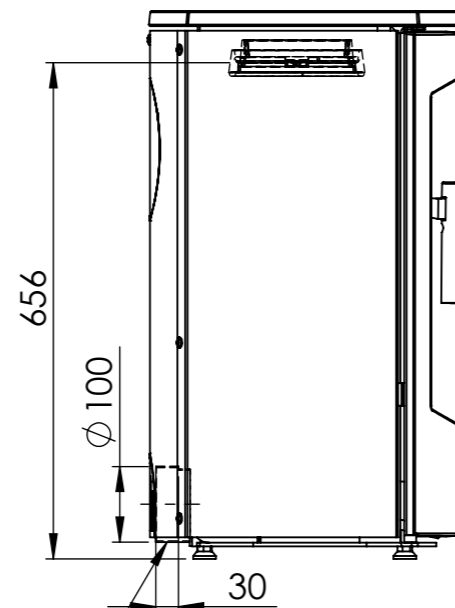
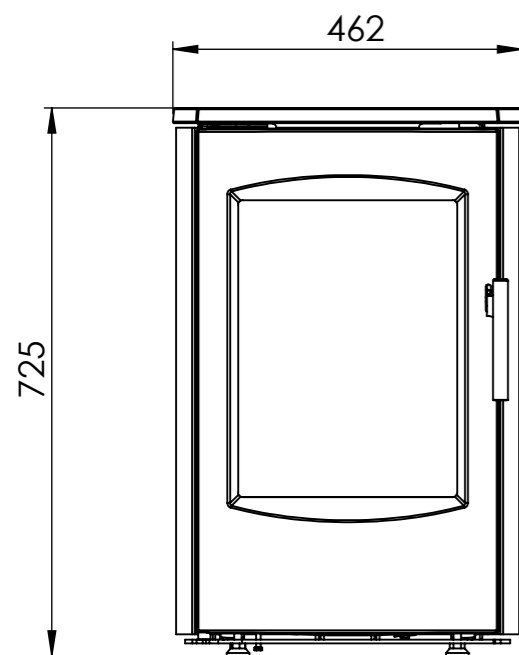
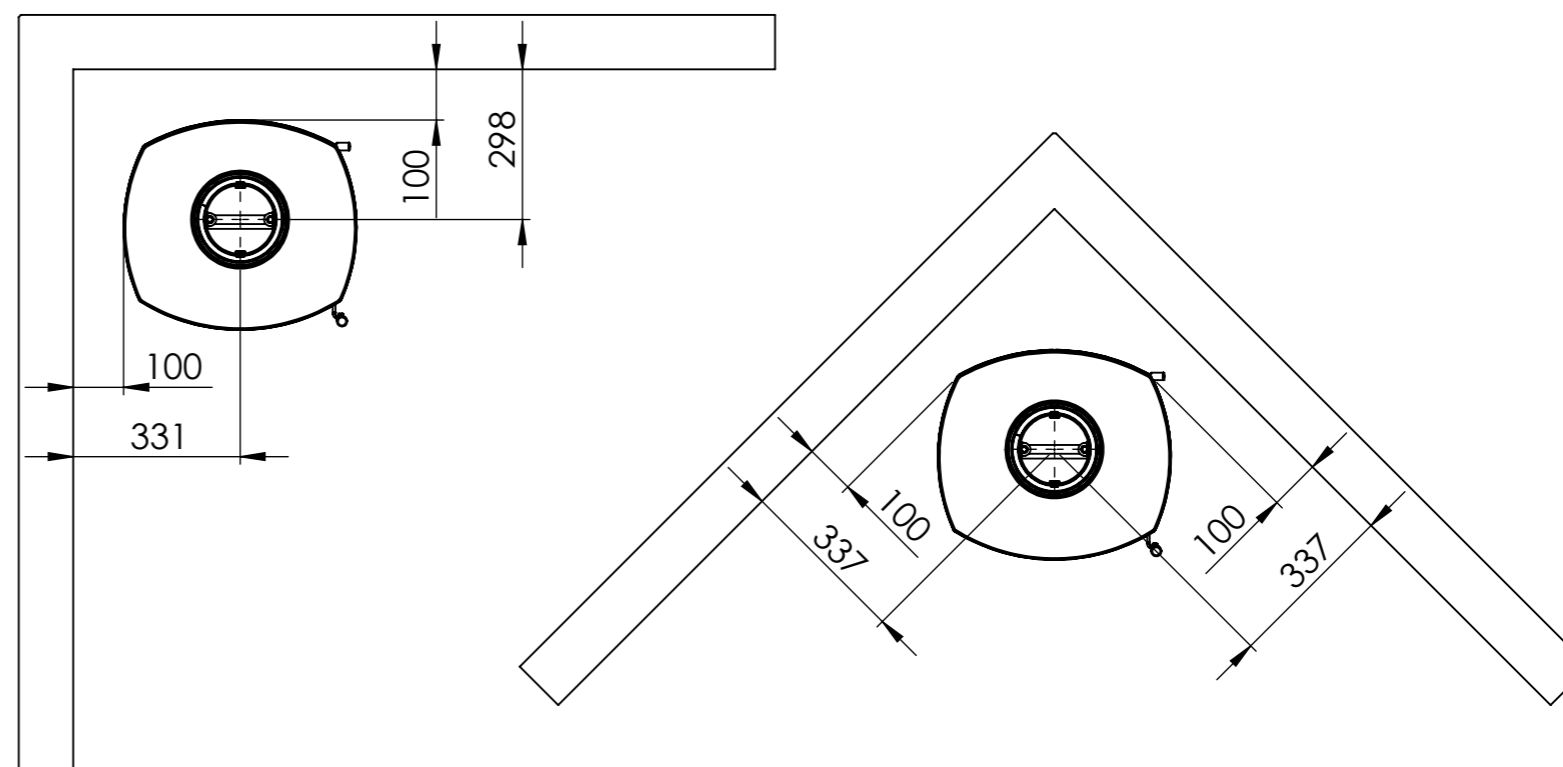
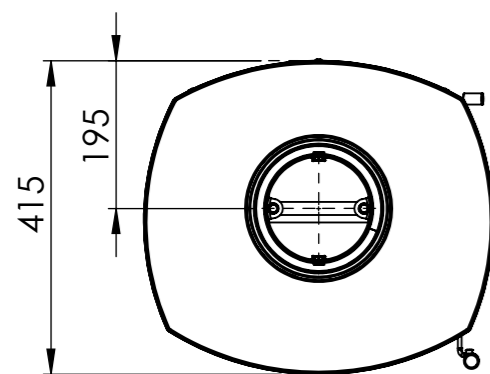




Serie	Scan-Line 7
Description	Scan-Line 7D Low model



External fresh air from behind



Scan-Line 7D low model	A	B	D	H
Steel	195	462	415	725
Stone top	196	470	416	754