

OPERATING AND INSTALLATION INSTRUCTIONS

SCAN-LINE 8 / SCAN-LINE 8 SCA

Scan-line 8 SCA is exempt for use in smoke control areas when burning dry wood



www.heta.dk

ECODESIGN READY



EN

DANISH DESIGN . DANISH QUALITY . DANISH PRODUCTION

Congratulations on your new wood stove, we are confident that you will be more than satisfied with your new Heta stove. Especially if you follow the following advice and instructions.

Scan-Line 8 series have been approved according to the EN 13240, NS 3058/3059 and 15a B-VG and the Scan-Line 8 SCA series are modified so that they are also recommended as exempt for use within smoke control areas (SCA) throughout the UK (see clean air act Appendix A). of the air supply regulation so that it can't be closed completely.

Operating Instructions Contents

Before installation.....	4-5
1. Operating instructions.....	6
1.1 Before using	6
1.2 Fixed mounting of handles.....	6
1.3 First firing	6
1.4 Regulating the airflow	6
1.5 Lighting the stove.....	6
1.6 Refueling	7
1.7 Door Stop.....	7
1.8 Emptying the ash	7
1.9 Reduced burning.....	7
1.10 Risk of explosion.....	8
1.11 Draft conditions in the chimney	8
1.12 Fuel.....	9
1.13 Operating problems	9
1.14 Chimney fire	9
1.15 Stove data table EN 13240	10
1.16 Diagram for maintenance.....	10
1.17 Maintenance.....	11
1.18 Cleaning the glass.....	11
1.19 Lubricate the moving parts of the stove with graphite spray.....	11
1.20 Troubleshooting	12
1.21 Cleaning/Replacing bicks Scan-Line 8	13
1.22 Cleaning/Replacing bicks Scan-Line 8 Side Windows	14
1.23 Garantie.....	15
1.24 Parts	16
2. Installation Instructions	21

Heta A/S

Jupitervej 22,
DK-7620 Lemvig

Phone: +45 9663 0600
E-mail: heta@heta.dk

Copyright © 2014
Heta is a registered
trademark of Heta A/S

Printed in Denmark
Subject to printing errors
and changes.

27.06.2024
0037-1495 Version 4,4

BEFORE INSTALLATION

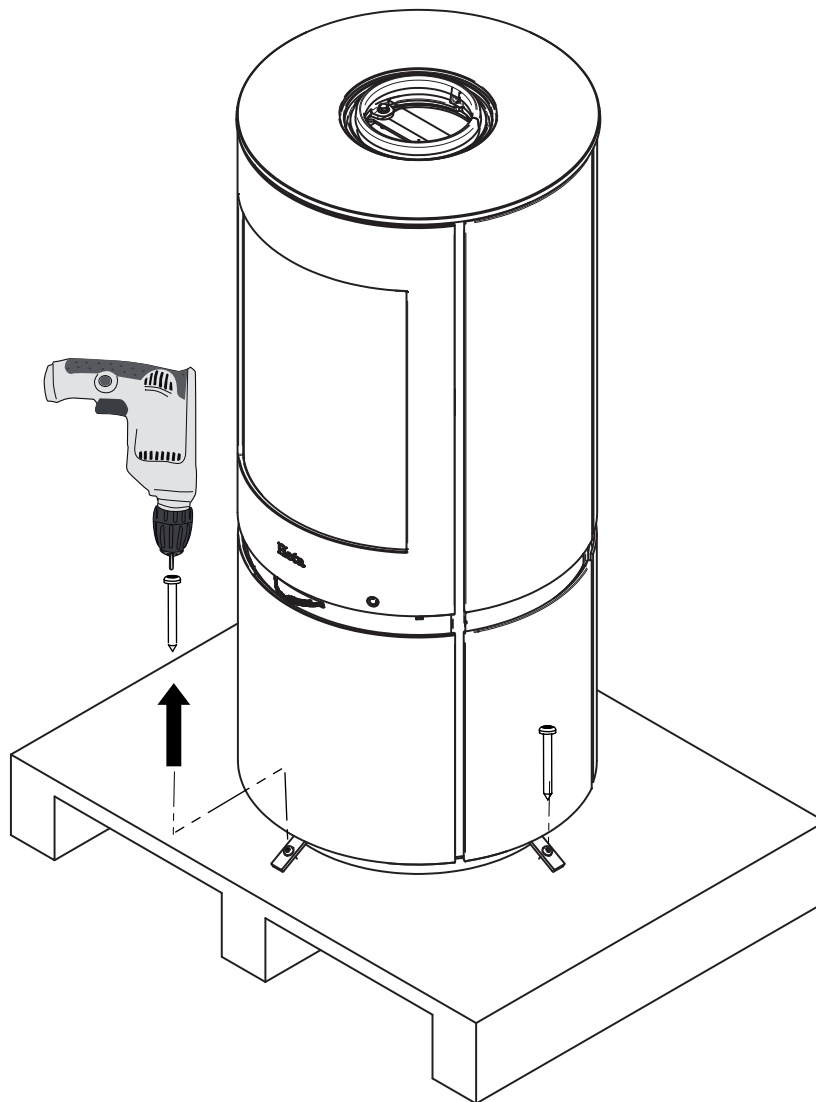
Heta wood stoves are quality products, therefore, your first impression is very important! We have a good logistics network, which transports Heta products with great care for our dealers. Nevertheless, when in transport or handling, damage of the often-heavy stoves can occur. It is important that upon receipt check your Heta product completely and report any damage or defects to your dealer.

The packaging must be disposed of as follows:


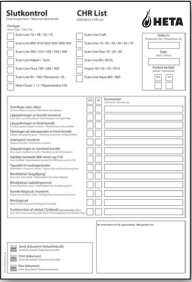

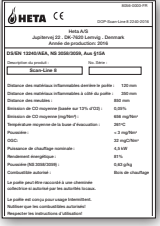
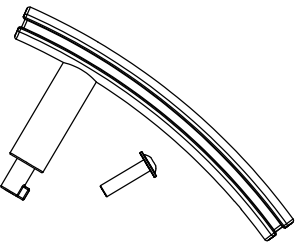

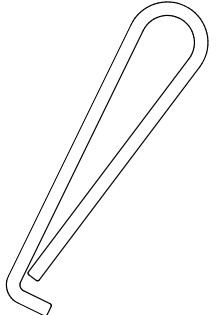
Wood is untreated and able to burn in the stove.

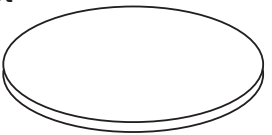
Plastic and cardboard you can drop off at your local recycling center.

Unpacking the stove



With your new wood stove you should find the following:

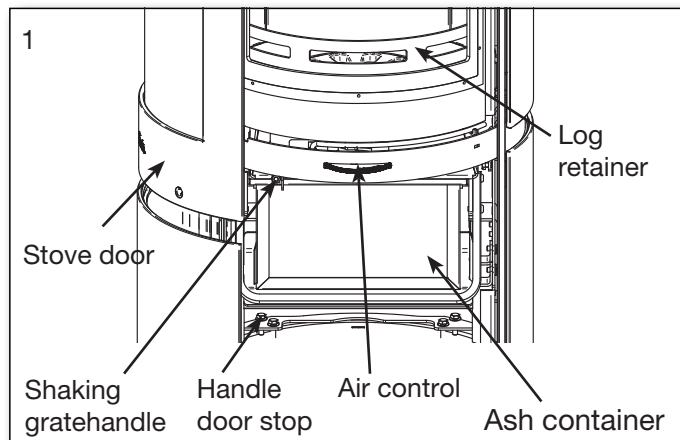
<p>Operating / Instruction manual</p>		<p>Q.C. check</p>	
<p>Heta glove 0023-9002</p>		<p>Data plate</p>	
<p>Handle 0030-2625 Screw 0008-0921 Used for fixed mounting of handles. See page 6.</p>		<p>Graphite spray for lubrication 0027-0130</p>	
<p>Handle for casted grate 1020-0103</p>		<p>Required tools are not supplied.</p>	

<p>Accessory Changing to a back outlet 0030-2410</p> 
--

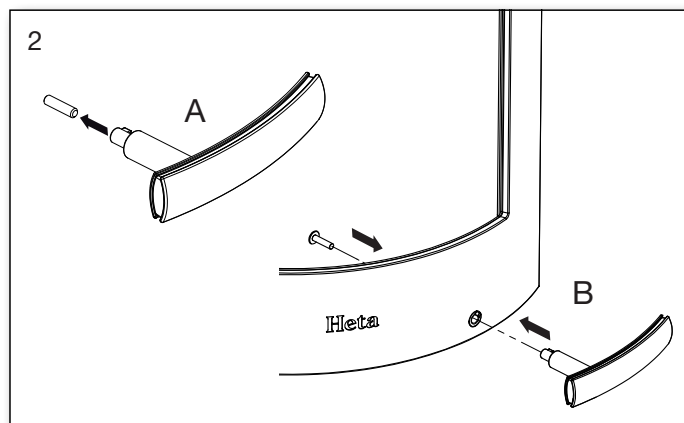
1. OPERATING INSTRUCTIONS

1.1 Before using

Before the wood stove is used make sure required installation conditions, are met. See page 21.



1.2 Fixed mounting of handles

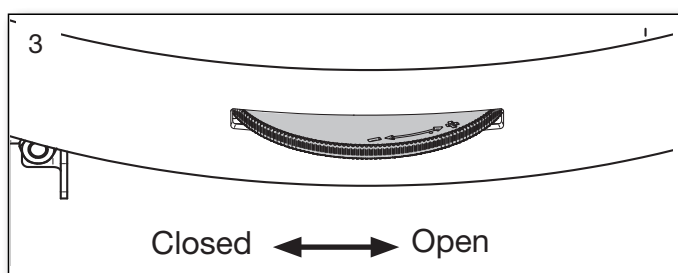


1.3 First firing

The stove paint is fully cured from the factory, but a minor unpleasant odour could still arise. The doors self-closing damper may not function properly if the stove is too cold. After transporting or standing in a cold environment, it might be necessary to close the door the last little bit until the stove has warmed up.

1.4 Regulating the air flow

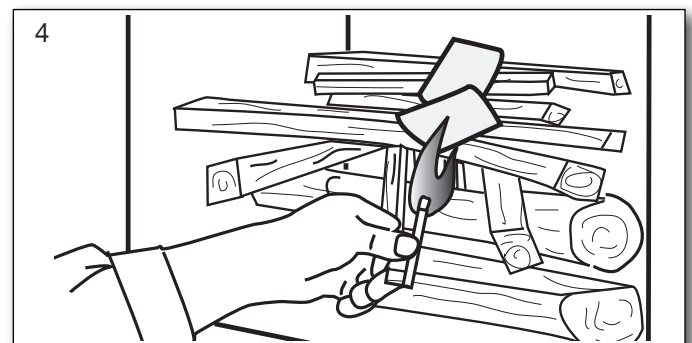
The stove's combustion air is controlled by the wheel under the stove door. Scan-Line 8 SCA stoves are designed and tested to burn extremely cleanly with very little smoke discharge and are



exempt for use in smoke control areas throughout the UK when burning dry wood logs. To comply, a permanent stop is fitted to ensure that the air control slider cannot be closed beyond 35% of its fully open position. A permanent amount of air will therefore enter the firebox to feed the fire producing negligible amounts of smoke and unburnt hydrocarbons. The appliances will only be considered as an exempt appliance if this stop is in place.

1.5 Lighting the stove

Place two pieces of wood on the bottom. Stack kindling on top in layers with air between. Set fire starter (bag, brick, paraffin) on the top, now you are ready to light the fuel. The flames must work from the top down.

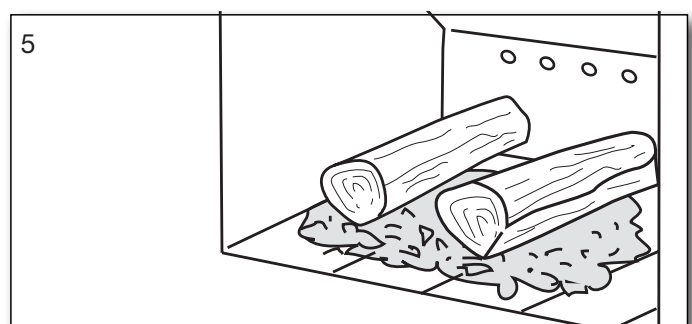


The use of lighter fluid, oils or any liquid fuels is strictly forbidden from use in a wood stove.

Fully open the combustion air and leave the door ajar (about 1 cm open). Once the fire is established and the chimney is hot (after about 3-5 minutes) closed door and regulate the air into operating position. We recommend, all of the first fuel is burned with the combustion air fully open in the operating position. This ensures the stove and chimney are thoroughly heated.



The stove is safety tested with a load of 2.0 kg of wood. The warranty will be voided if this amount is exceeded.





Startup/Lighting
Scan the code and select a language.

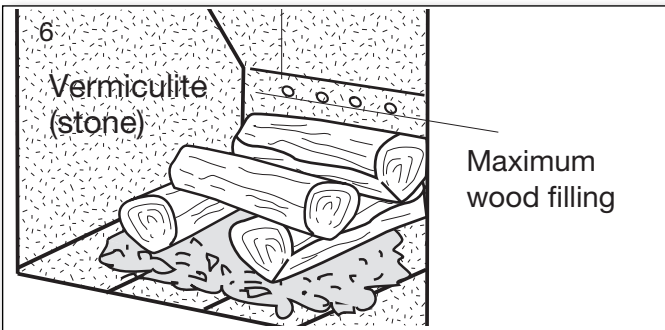
1.6 Refueling

Refueling of your stove should be done while there is still a good layer of embers. Distribute the embers with the majority of them to the front. Place pieces of wood equivalent to about 1,1 kg on top of the embers perpendicular to the door. Now open the combustion air completely. If the stove and/or chimney cools down too much, it may be necessary to use the start-up air and possibly have the door ajar.

The wood will then ignite within a very short time (Typically 1 to 3 minutes). Once the fuel is ignited. Close the door and regulate the air back to operating air. When the fire is well established, you can now regulate the operating air to the desired combustion level.

The nominal output of 4.7 kW is equivalent to a firing interval of approx. 46 minutes at 35% open combustion air and 1.36 kg of wood.

Ensure when refueling that the wood is not too close, it will cause poorer combustion, less heat out-put and lower efficiency. The fuel load, must be maintained below the top series of air holes and within the outer vent in each side. Fig. 6

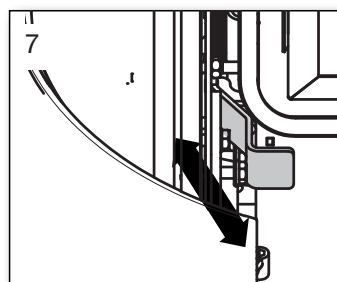


When refueling be careful to place the fuel into the combustion chamber gently, (use the provided glove). By not doing so you risk cracking or breaking the vermiculite.

If there is reduced draft in the chimney, we recommend opening a window at stoking. This will give better ventilation to the room and more oxygen for combustion.

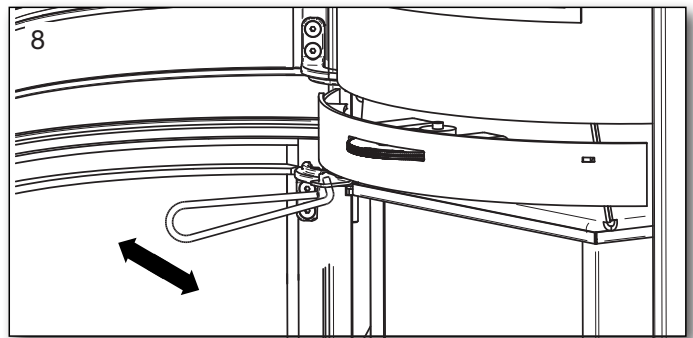
1.7 Door stop

The stove door is held open by pressing the door stop in while the door is fully open.

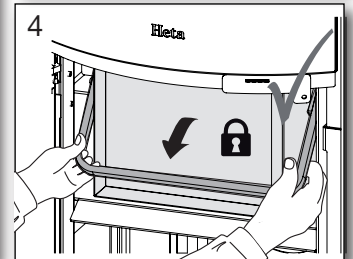
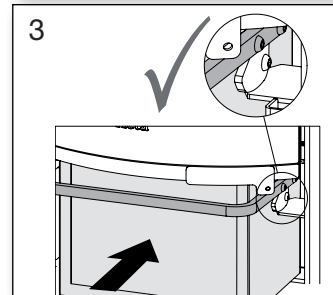
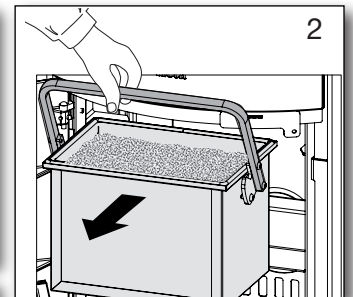
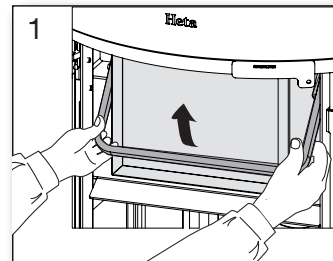


1.8 Emptying the ash

By using the shaker grate, it rotates back and forth so the ash falls through the holes and into the ashtray, see Fig. 8. It is advantageous to leave a layer of ash in the bottom of the combustion chamber on top of the grate as insulation.



Be careful when emptying the ashes out. There can be hot embers left for a long time. Never empty ash into a combustible container.



The ashtray must be secure and must not be able to move after being set in place.

Do not fire in the oven if the ashtray is not in place.

The warranty is void if it is not complied with.

1.9 Reduced burning

The stove is, designed for intermittent use. It is important to maintain the layer of hot embers. Lower heat out-put occurs when no flames are coming from the wood and it is becoming hot embers.

If you are looking for less heat out-put, achieve this by fueling with smaller volumes of wood and a lower operating air. You may not completely close the operating air during firing.

Be aware that the stove will naturally soot if the

operating air is too low. This is not good for the environment. There is also a risk for the glass, the chimney and other parts will become sooted. By a combination of the above and possibly burning damp wood. Can lead to high levels of soot that it becomes sticky. Causing the sealing of the door to tear off when opening the door the next day.

1.10 Explosion!!!



It is very important never to leave The stove after start up or refueling, before the fire is established. (Typically 1 to 3 minutes)

Explosion can occur if filled with too much fuel in the stove, the production of large volumes of gas, which can explode if the air supply becomes too low.

Warning!



One must always use cation around the stove seen, as it gets very warm during use. (In excess of 90° C).

Children should avoid contact with the stove.

Setting up a fence if you have small children may be necessary.

Do not place flammable objects like drying racks, furniture, curtains too close to the stove.

1.11 Draft conditions and the chimney

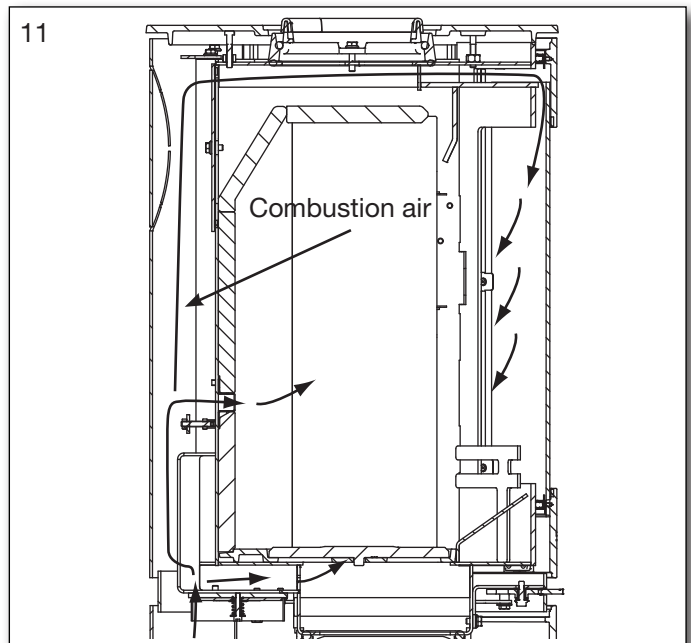
Poor draft will not allow the stove to burn, as it should. The glass can soot, requires cleaning of the chimney more often, smoke can escape out when the door is open and it gives poor fuel efficiency. Leading to unnecessary polluting of the environment.

Good draft will allow the stove to achieve optimal combustion and the highest possible efficiency. Heta wood stoves are constructed so that it itself provides an optimal blend of combustion air. This provides a high efficiency/heat, clean glass and low environmental impact.

Minimum chimney draft: 12 pascal.

It is the draft that the stove has been tested and approved on. The minimum draft is necessary to provide clean burning, beautiful flame picture, as well as achieving the rated efficiency.

There is a risk of smoke escaping into the room if the door is opened during vigorous firing, or if there is a lack of air supply to the room, for ex. if an extraction fan is in use.



Nominal fluegas temperature: 257° relative to 20°C. Flue gas flow is: 3.9 g/sec. Corresponding to 14.8 m³/hr of combustion air by burning 1.06 kg of wood.

The chimney height and diameter, as well as the temperature difference between the flue gas and outside temperature generates the chimney draft. Chimney insulation is therefore important as new efficient stoves create lower flue temperatures. Wind and weather conditions also influence draft, in some cases it may be disadvantageous wind direction, combined with the position of the chimney can cause negative draft (it blows through the chimney), causing smoke escape from the stove.

Before using after a long period of inactivity, check that the chimney is free for any blockages. (soot build-up, bird nests, leaves etc.).

Reduced draft can occur when:

- The temperature difference is too small between smoke gasses and outdoor temperature, for eg. poorly insulated chimney
- To short of a chimney
- The outside temperature is high, and indoor temperature is low for eg. in summer
- False air in the chimney
- Chimney is blocked
- Air tight house (lack of combustion air supply)
- Poorly placed chimney for the surroundings, for ex. the ridge and trees may cause turbulence

Good draft occurs when:

- The difference in temperature in the chimney (warmer) and outside temperature (colder)

- It is clear weather
- The chimney has the right height min 4 meters above the stove, and clear of the roof ridge.

1.12 Fuel

Your new stove is EN approved for firing with wood fuel. You must therefore only burn clean, dry wood in your stove. Never use your stove to burn driftwood, as this may contain a lot of salt which can damage both the stove and the chimney. Similarly, you must not fire your stove with refuse, painted wood, pressure-impregnated wood or chipboard, as these materials can emit poisonous fumes and smoke.

Correct firing using well seasoned wood provides optimal heat output and maximum efficiency. At the same time, correct firing prevents environmental damage in the form of smoke emissions and reduces the risk of chimney fires.

If the wood is damp and inadequately seasoned, a large proportion of the energy in the fuel will be used to vaporize the water and this will all disappear up the chimney. Thus, it is important to use dry, well seasoned wood, for eg. wood with a moisture content of less than 20 %. Achieve this by storing the wood for 1–2 years before use.

Pieces of firewood with a diameter of more than 10 cm should be split before before storing. The pieces of firewood should be of an appropriate length (approx. 19-25 cm) so that they can lie flat on the bed of embers.

If you store your wood outdoors, it is best to cover it.

Examples of fuel values

for different woods and their typical densities per cubic meter, specified for 100% wood with a moisture content of 18%.

Wood	kg/m ³	Willow	kg/m ³
Beech	710	Wood	560
Oak	700	Alder	540
Ash	700	Scotch pine	520
Elm	690	Larch	520
Maple	660	Lime	510
Birch	620	Spruce	450
Mountain pine	600	Poplar	450

It is advised not to use oil-containing woods like teak tree and mahogany, as this can cause damage to the glass.

Heating value in wood

You have to use about 2.4 kg normal wood to replace one litre of heating oil. All woods have almost the same heating value per kg, which is about 5.27 kW/hour for absolute dry wood.

Wood with a moistness of 18% has a efficiency of about 4.18 kW / hour per kg, and one litre heating oil contains about 10 kW / hour.

CO₂ release

At combustion 1000 litres of heating oil forms 3.171 tons CO₂. As wood is a CO₂ neutral heat/energy source, you save the environment about 1.3 kg CO₂ every time you have used 1 kg normal wood.

1.13 Operational problems

The chimney must be swept at least once a year, we recommend the use of a NACS (national association of chimney sweeps) registered chimney sweep.

In the event of smoke or malodorous fumes are being produced, you must first check to see whether the chimney is blocked.

The chimney must, of course, always provide the minimum draft necessary to ensure that it is possible to regulate the fire. Please note, however, that chimney draft is dependent on the weather conditions. In high winds, the draft can become so powerful that it may be necessary to fit a damper in the flue gas pipe to regulate the draft.

When cleaning the chimney, soot and other deposits may come to fall on the baffle plate, remove and clean it. In cases where the wood burns too quickly, this may be due to excessive chimney draft. You should also check to make sure that the door seal and ash pan seal is intact and correctly fitting.

If the stove it generating too little heat, this may be because you are firing with wet wood. In this case, much of the heating energy is used to dry the wood, resulting in poor efficiency, potentially damaging the vermiculite and an increased risk of soot deposits in the chimney.

1.14 Chimney fire

In case of a chimney fire, which often results from incorrect operation/maintenance or prolonged use of damp wood, close the door and the air supply completely, to help slow/smother the fire.

Call the fire department. The stove and chimney must be inspected before use again.

1.15 Stove data table in accordance with en 13240 testing

Tested as a freestanding oven and with uninsulated flue

Stove type	Nominal fluegas temperature, at 20°C room temperature	Flue mm	Fuel volume kg	Draft min. mbar	Nominal out-put tested kW	Actual efficiency %	Distance to flammable materials			Stove weight kg
							at the sides mm	rear the stove mm	to furnitures mm	
Scan-Line 8	257 C°	ø150	1,1	0,12	4,7	81	350	120	850	*
Scan-Line 8 Side Windows	257 C°	ø150	1,1	0,12	4,7	81	400	100	700	*

- * Scan-Line 8 - With steel sides: 101 kg.
- * Scan-Line 8 - With soapstone top and steel sides: 105 kg.
- * Scan-Line 8 - With casted sides: 138 kg.
- * Scan-Line 8 - With soapstone: 135 kg.
- * Scan-Line 8 - With soapstone top and casted sides: 133 kg.
- * Scan-Line 8 Side windows - With steel sides: 102 kg.
- * Scan-Line 8 Side windows - With soapstone top and steel sides: 107 kg.

The nominal output is the output to which the stove has been tested.
Testing is conducted with the combustion air around 50% open.

1.16 Diagram for the maintenance

Maintenance / Period	Stove Owner					Qualified Technicia	
	Before Autum	Daily	1 week	30 days	60-90 days	1st Year	2st Year
Cleaning the chimney (see. Chimney)	C						
Cleaning the chimney and stove	C				C		
Cleaning the stoves firebox	C	VI			C		
Cleaning combustion air intake	C				C		
Cleaning ash bucket	C		VI	C			
Cleaning of the firebox	C		VI	C			
Checking / switch, gasket for door	C/S	VI					C/S
Checking / changing, gasket for glass	C/S	VI					C/S
Checking / switch, gasket for ashpan	C/S	VI					C/S
Checking / changing gasket for flue pipe	C/S	VI					C/S
Checking / changing vermiculite	C/S	VI					C/S
Lubricate hinges	L	VI			L		
Lubricate lock	L	VI			L		
Lubricate Ash pan	L				L		

C = Cleaning
L = Lubricate

C/S = Checking /Switch
VI = Visual Inspection, pos. cleaning/replacing/adjusting

1.17 Maintenance

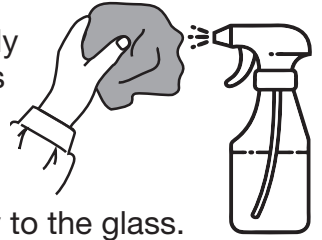
The surface of the stove is treated with a heat-resistant paint. The stove should be cleaned with a damp cloth.

Any damage to the surface in the form of chips or scratches can be repaired using touch-up paint, which is available in spray cans.

1.18 Cleaning the glass

Incorrect firing, for example using wet wood, can result in the viewing window becoming covered in soot.

This can be removed easily and effectively using glass cleaner applied using a cloth.



Never apply spray directly to the glass.

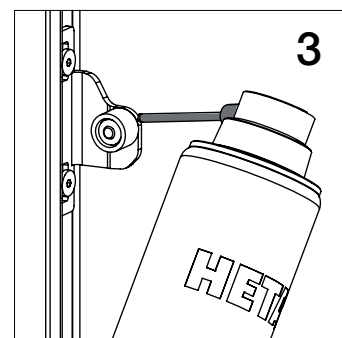
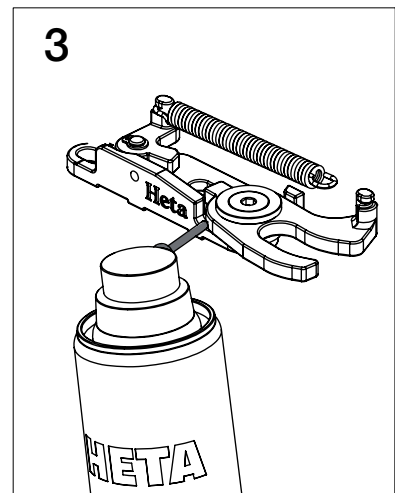
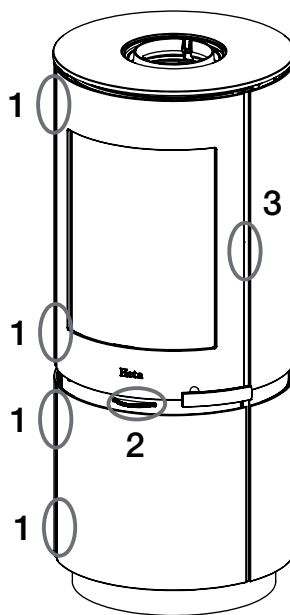
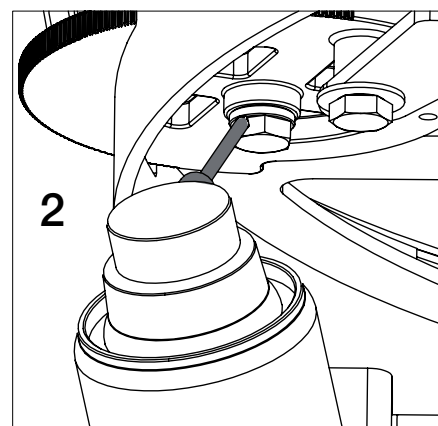
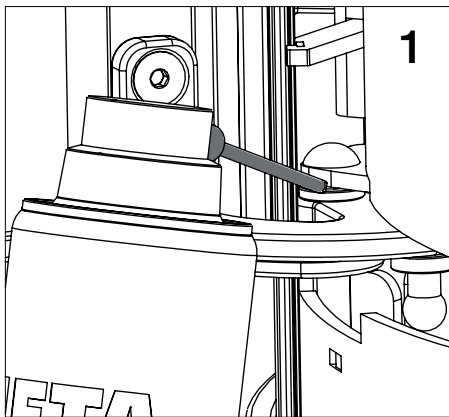
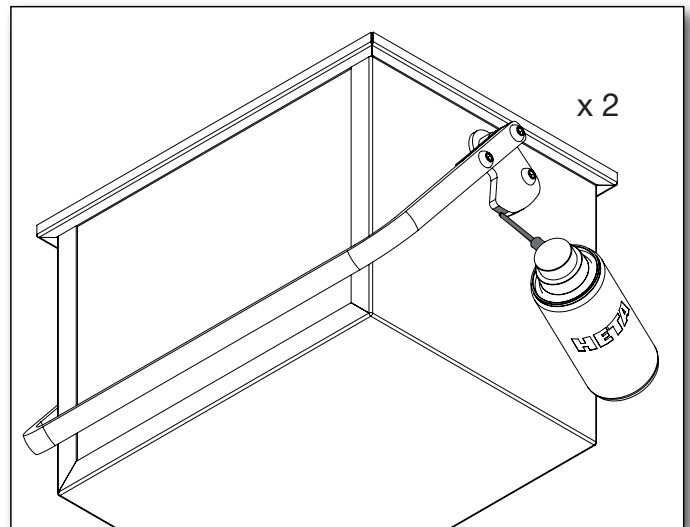
1.19 Lubricate the moving parts of the stove with graphite spray



Before using graphite spray, you should cover the exposed surfaces so that lubricants are applied only to the moving parts.

Always test the graphite spray on a hidden surface to make sure the can is working as intended.

Graphite spray should only be used on a cold stove.



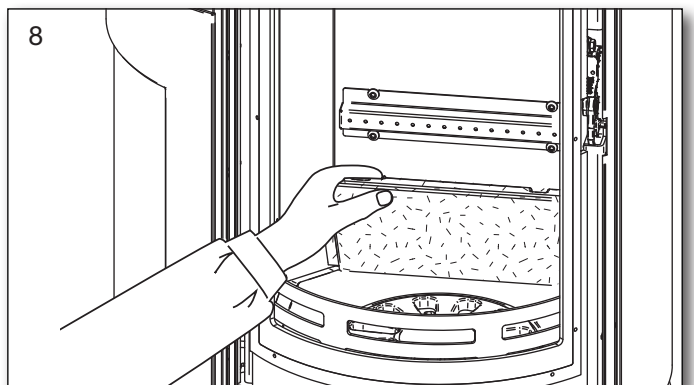
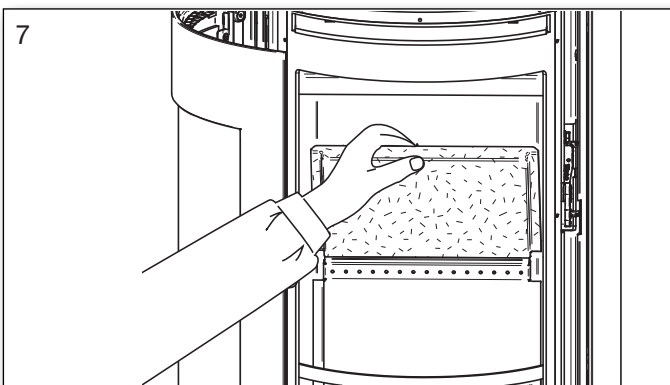
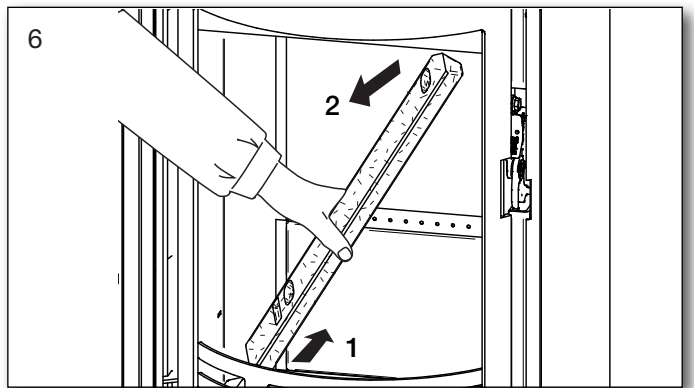
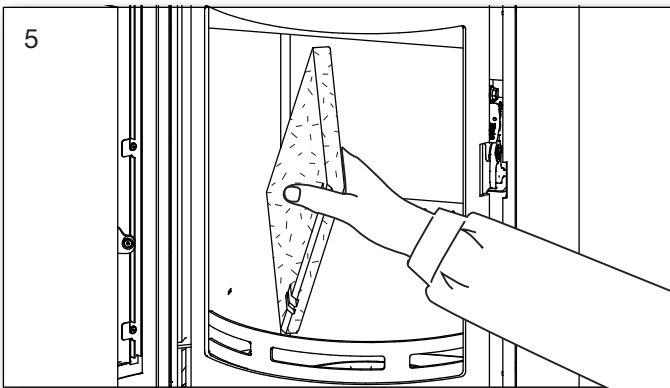
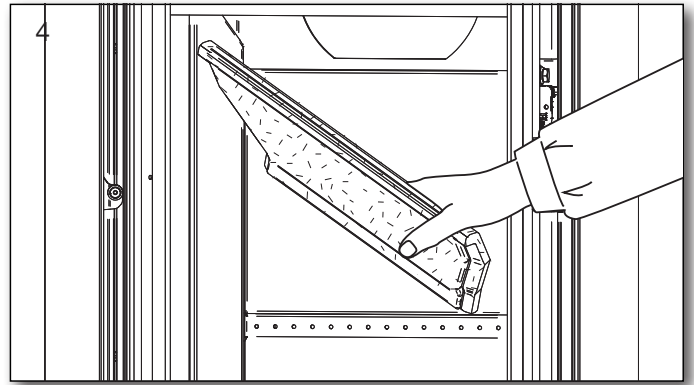
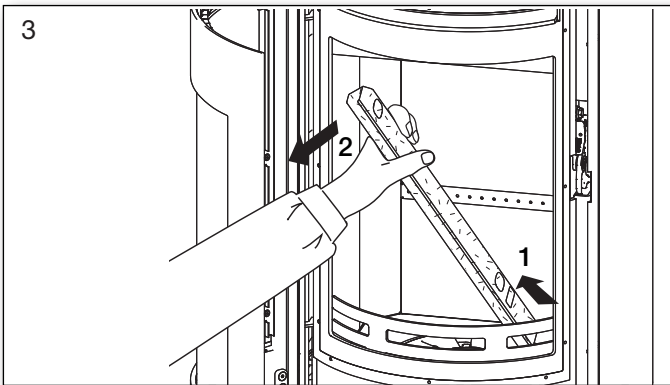
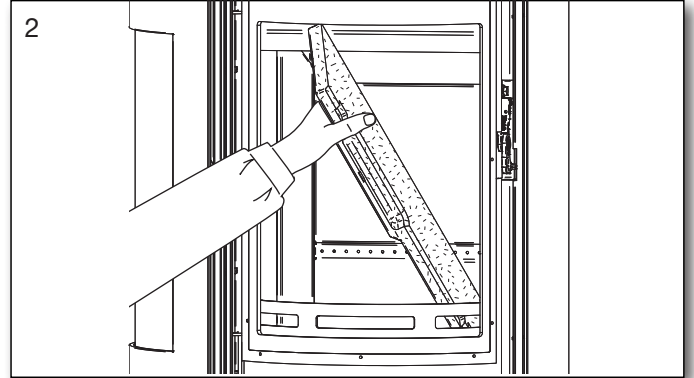
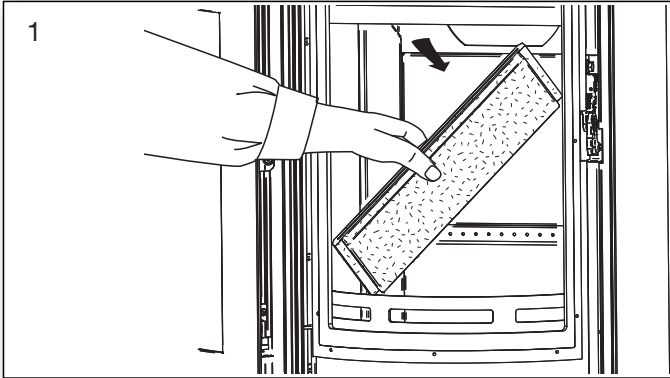
1.20 Troubleshooting table - applies to all stove types

Fault	Cause	Troubleshooting	Solution
Lighting problems. When the stove is cold, smoke seeps into the room. Once the combustion chamber has heated up, the stove burns well.	Inadequate chimney draft. The chimney only has sufficient draft when it is hot.	You can test using a lighter whether flame is drawn into the combustion chamber.	Improve the chimney.
The stove burns poorly after the warm-up phase, and the glass slowly soots up.	Soot in the flue pipe.	Check the flue pipe regularly, as the problem arises slowly.	Clean regularly, and limit the use of horizontal flue pipes. Do not use firewood which generates large quantities of ash.
If the stove burns poorly after start-up, and the glass slowly soots up.	Inadequate chimney draft.	The fault usually already occurs during lighting. Measure the chimney draft.	Improve the chimney draft.
	Insufficient air supply.	Check the air supply.	Read the operating instructions and instruct all users.
	Damp wood.	Use clean, dry wood with a maximum moisture content of 20%.	Firewood should ideally be dried for at least one year after splitting.
	Firewood pieces too large.	Optimal size – see the section for firewood, max. diameter 10 cm.	Use smaller pieces of firewood.
	Insufficient air supply to the room. Range hoods, airtight windows, etc.	Ensure there is sufficient fresh air supply, open a window, check the outdoor air supply.	Depending on the cause, windows must be opened or the outdoor air connection cleaned.
	Insufficient air supply to the room. Range hoods, airtight windows, etc	Ensure there is sufficient fresh air supply, open a window, check the outdoor air supply.	Depending on the cause, windows must be opened or the outdoor air connection cleaned.
The vermiculite in the combustion chamber is becoming very worn.	Wood and flue gases wear down the vermiculite.	Investigate whether the wear is normal.	Normal wear and minor cracks are of no significance. It should be replaced when the steel of the combustion chamber is visible.
Too rapid combustion.	Too much chimney draft.	To test, you can open the cleaning hatch, but remember to close it again.	Measure the chimney draft and install a damper in the flue pipe if necessary.
	The door or ash pan/drawer seal is defective.	While cold, close a piece of paper in the door – the seal should hold the paper gently in place so it does not fall out by itself. Normal wear.	Replace the seal.
The vermiculite in the combustion chamber is cracked.	Shocks or impacts while adding firewood.	Normal wear	Cracks only have cosmetic significance. Replace when the steel of the combustion chamber is visible.
Steel surfaces in the combustion chamber have oxidised.	The temperature in the combustion chamber is too high.	Unsuitable fuel is being used (such as coal). Check the quantity of firewood being used, read the operating instructions.	If there are clear cracks or weaknesses in the stove body, it must be replaced.
The stove whistles	Too much chimney draft	To test, you can open the cleaning hatch, but remember to close it again.	Install a damper.
The stove 'clunks'	Usually due to tension in the metal plates.	Generally only occurs while heating up and cooling down.	Adjust the metal plates.
The stove ticks	Normal expansion and contraction due to temperature changes.	A normal sound.	Ensure that the temperature in the combustion chamber is as constant as possible.
The stove creaks.	The temperature in the combustion chamber is too high.	Use less firewood. Also check the seal in the ash pan/drawer.	See the operating instructions.
The stove smells. The surface is steaming.	The paint on the stove surface is not yet fully hardened.	See the operating instructions regarding the first firing.	Ensure there is sufficient ventilation.
Condensation in the combustion chamber.	Moisture in the vermiculite.	Check the condition of the vermiculite.	Evaporates by itself after the stove has been lit a few times.
	Damp wood.	Measure the moisture content.	Use dry firewood.
Condensation from the flue pipe.	The pipe is too long or the chimney is too cold.	Check the flue pipe's length and heat loss.	Improve the flue pipe, insulate the chimney.
	Damp wood	Measure the moisture content.	Use dry firewood.
Moving parts creak.	Needs lubrication.	What part.	Lubricate with graphite spray.

1.21 Scan-Line 8. Cleaning after sweeping or before replacing vermiculite stones

Note: it may be necessary to clean/vaccum the holes and air ducts behind the rear stone.

Order of removing Fire bricks.

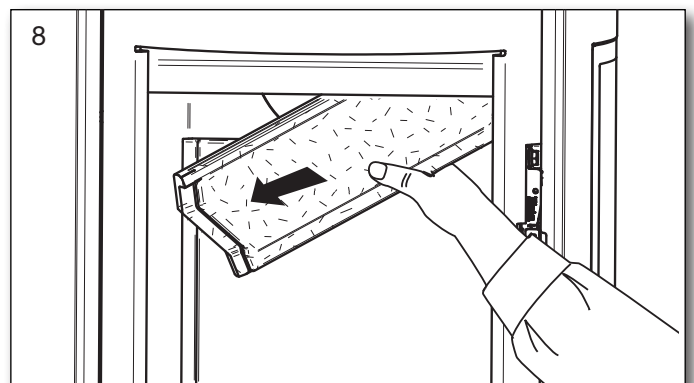
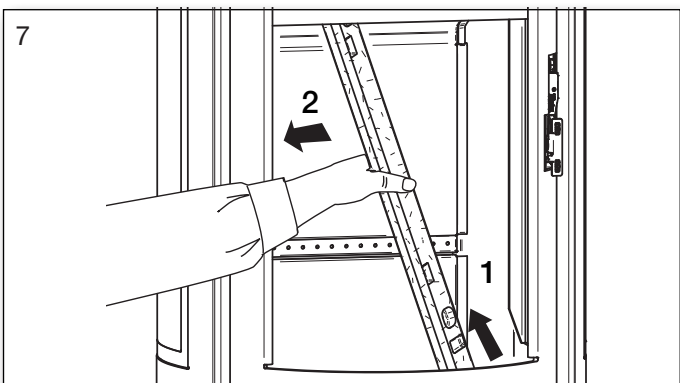
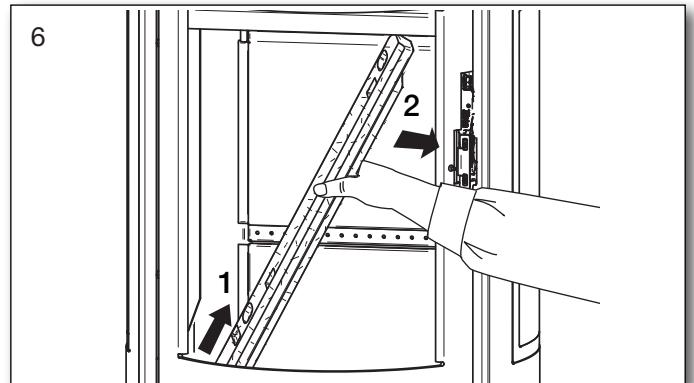
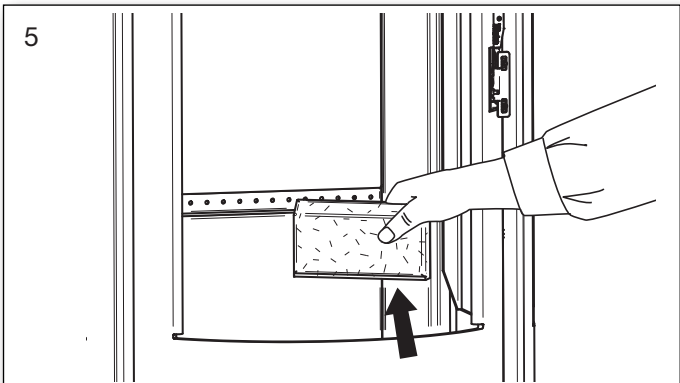
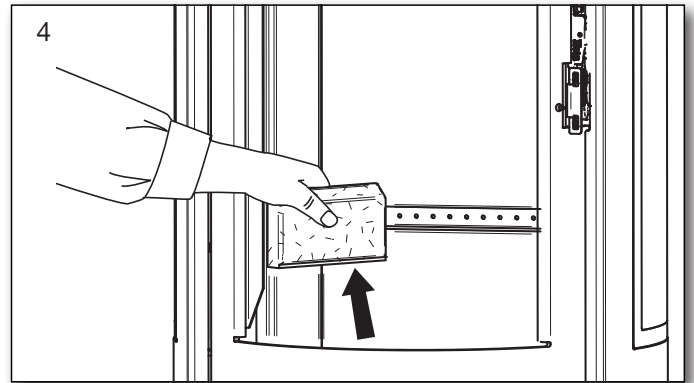
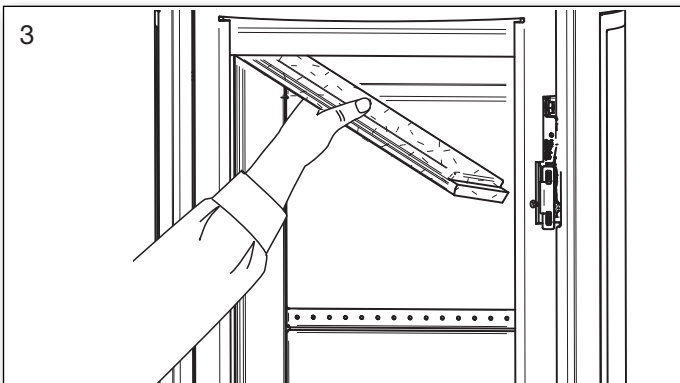
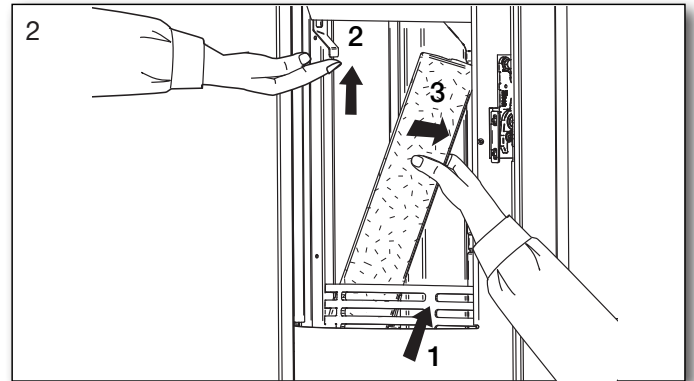
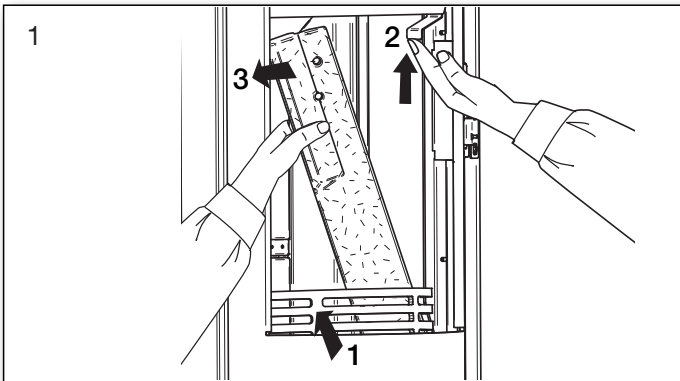


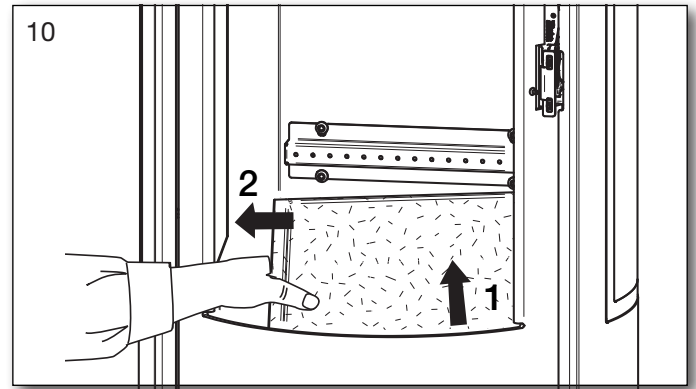
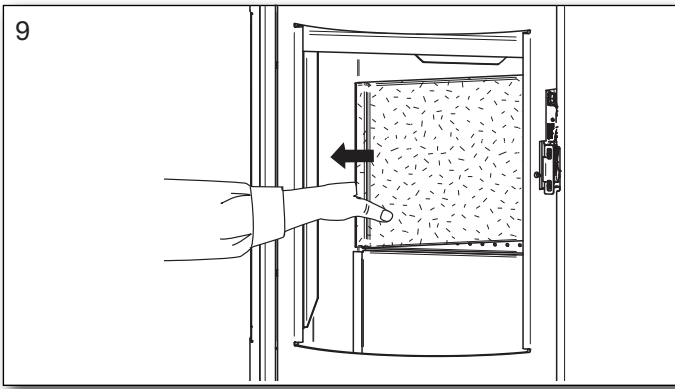
Replace in reverse order. Starting with Fig. 8.

1.22 Scan-Line 8 Side windows. Cleaning after sweeping or before replacing vermiculite stones

Note: it may be necessary to clean/vaccum the holes and air ducts behind the rear stone.

Order of removing Fire bricks.





Replace in reverse order. Starting with Fig. 10.

1.23 Guarantee

Heta wood stoves, are subjected to a strict quality control during production and before delivery to the dealer. Therefore, the duration of the warranty is **5 years** on this product, covering manufacturer's defects, **1 year** on paint adhesion defects from purchase date from Heta and a 3 months total warranty for seals, vermiculite and glass from the date of sale from the dealer.

Claims concerning stoves older than **3 months**, will be assessed by our quality team on a one-by-one basis. Report all claims to your dealer or local Heta representative, who in turn will contact Heta to solve the claim. To file a claim please provide date of installation, picture of the silver data sticker, model and a description of the issue and pictures.

The guarantee does not cover:

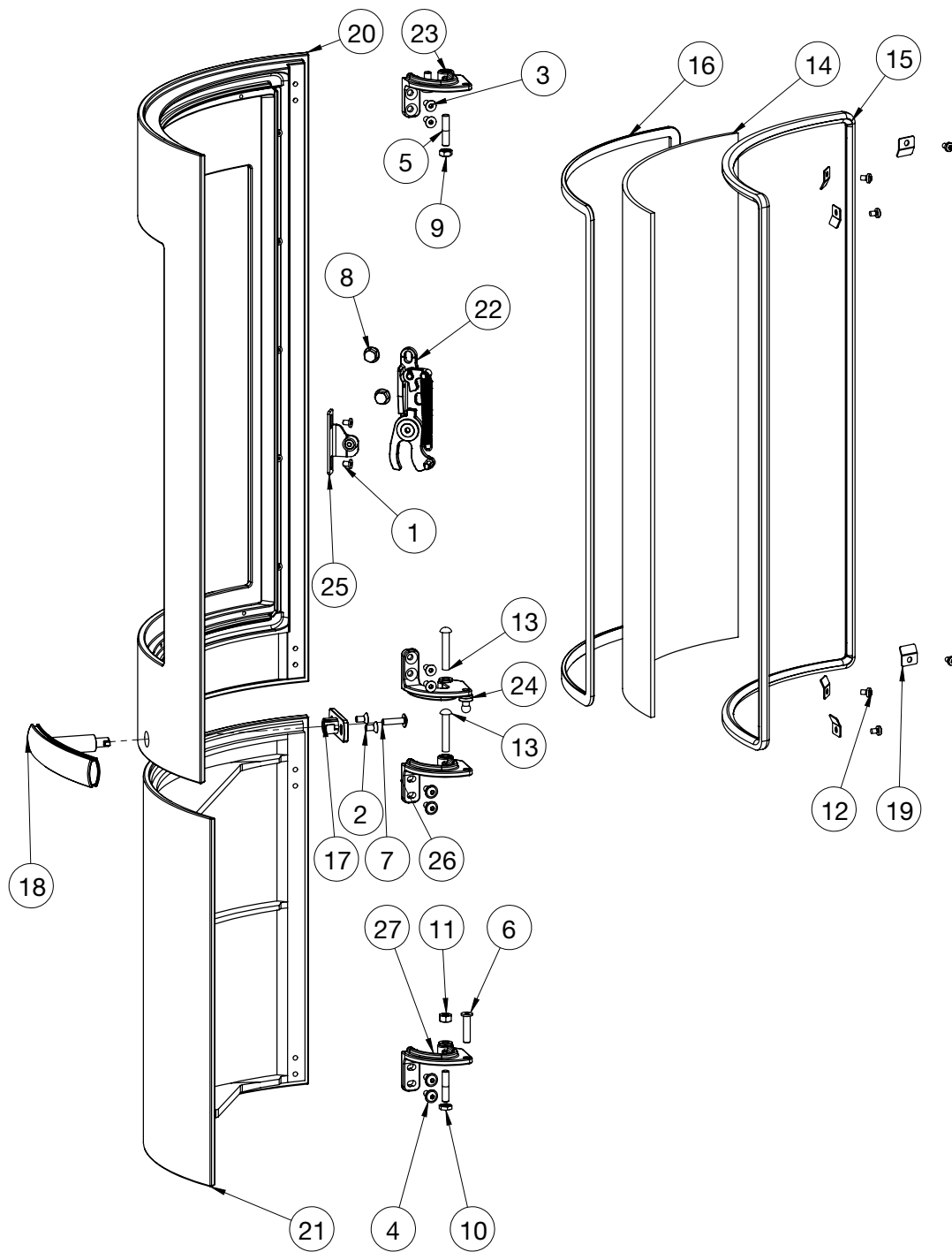
- Wearing parts / fragile parts such as:
- Vermiculite elements in the combustion chamber.
- Glass
- Seals
- The cast bottom or shaking grate
- Surface or paint deteriorations due to excessive humidity, salinity or other aggressive environment
- Damage caused by improper use
- Transportation costs for warranty repair
- Assembly / disassembly of warranty repair
- Any secondary damages of the stove or it's environments due to negligence of any initial damages whether this damage is covered or not by the manufacturers guarantee.

Warning



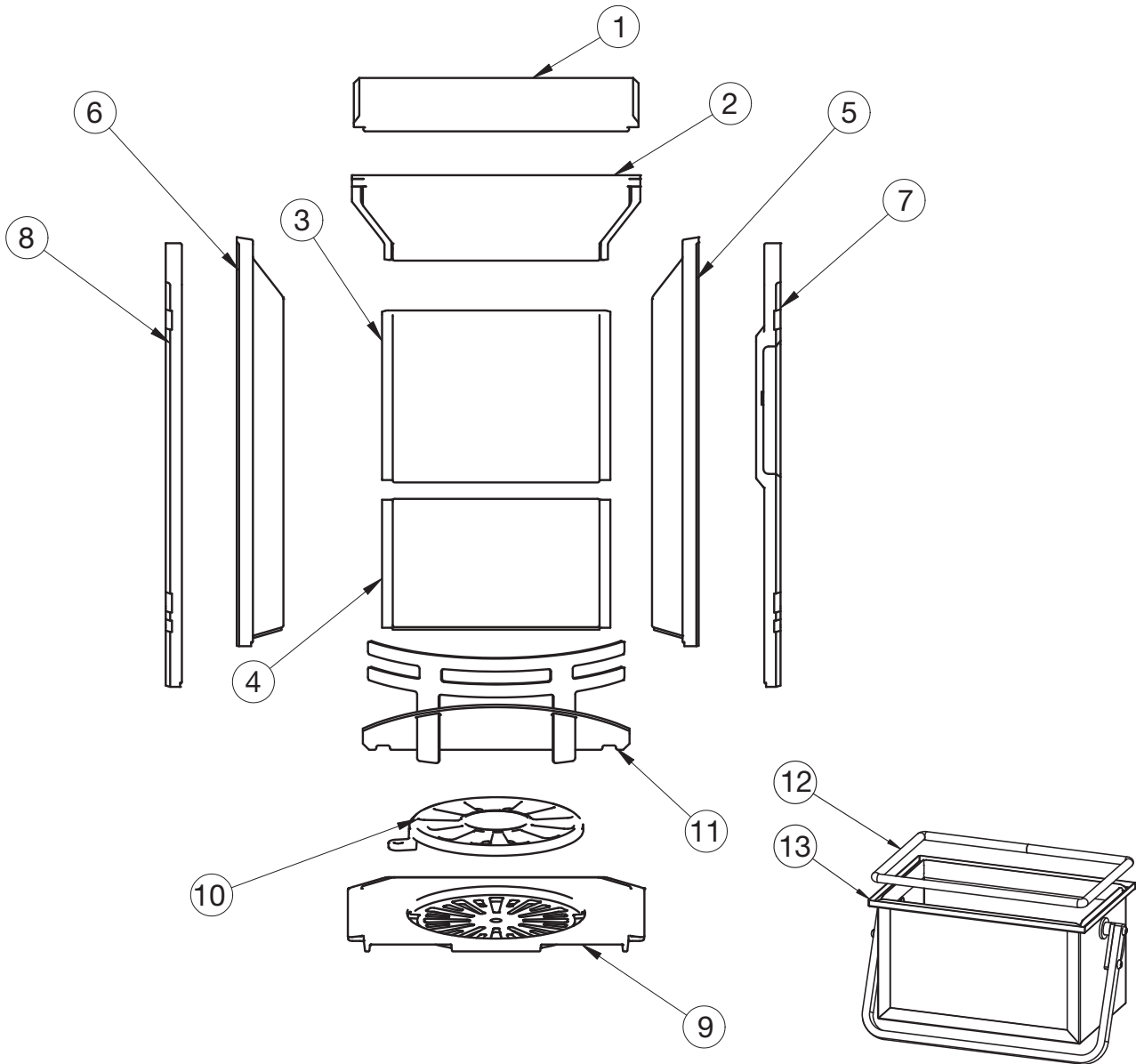
Inadequate installation, unauthorized alteration to the stove or the use of non-original parts will void the guarantee.

1.24 Parts - Doors



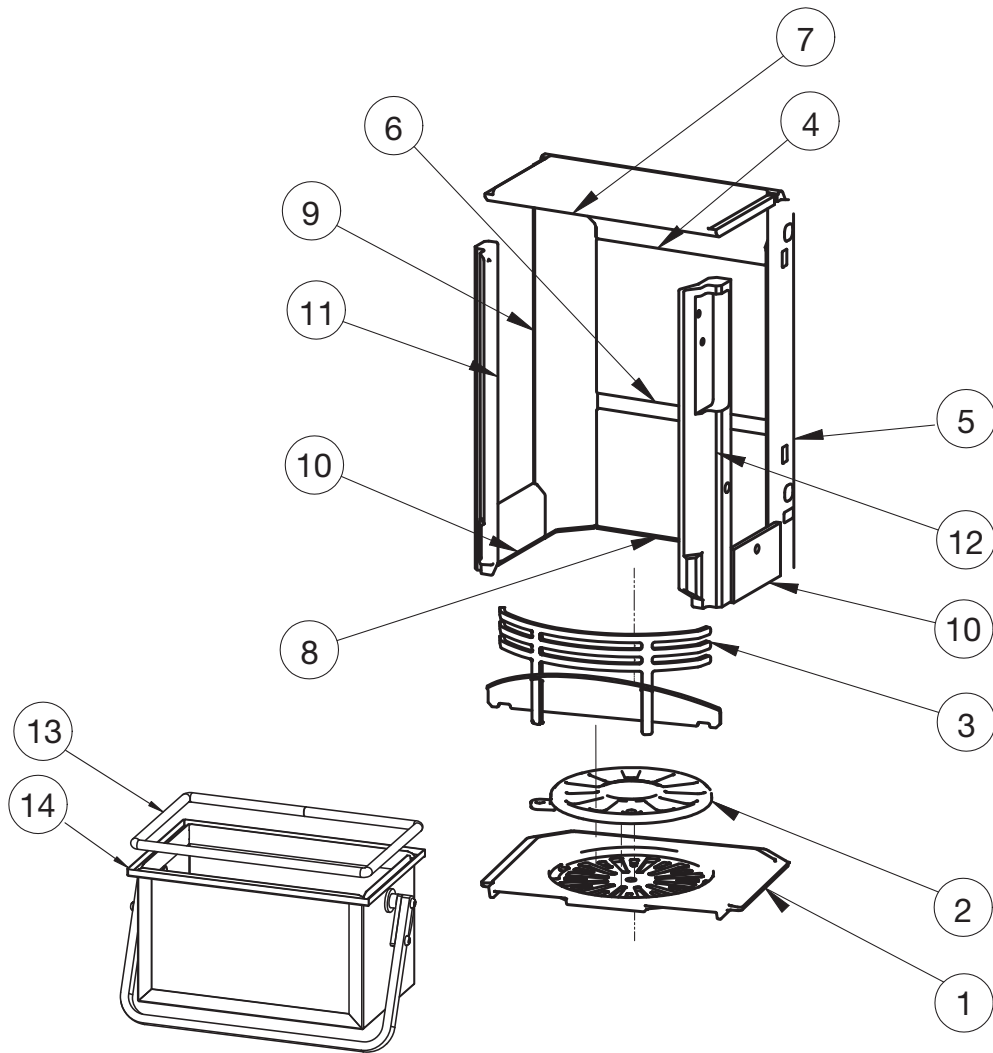
Pos. No.	Name	Qty.	Pos. No.	Name	Qty.
1	0008-0036 M4x6 socket cap screw	2	15	0023-3008 Door gasket ø11	1,7 m
2	0008-0045 M5x10 flat countersunk screw	2	16	0023-3023 Glass gasket	1,65 m
3	0008-0099 M5x12 flat countersunk screw	4	17	0030-2622 Bracket for handle	1
4	0008-0108 M5x12 button screw with flange	4	18	0030-2625 Bracket handle	1
5	0008-0903 Hinge pin M6x28	1	19	1013-0432 Glass clips	6
6	0008-0914 M6x25 socket cap screw	1	20	1505-0082 Stove door	1
7	0008-0921 M5x20 button screw with flange	1	21	1505-0083 Ash door	1
8	0008-1113 M6x12 flange bolt	2	22	1513-0123 Self-closing (0008-9104 Tension spring)	1
9	0008-1402 M6 nut	1	23	1513-0132 Upper hinge	1
10	0008-1406 M6 jam nut	1	24	1513-0133 Hinge for automatic door closing	1
11	0008-1416 M6 lock nut	1	25	1513-0135 Closing roller	1
12	0008-2304 M4x6 socket pan screw	6	26	6000-018890 Hinge, ash door top	1
13	0008-9082 6x35 Round rivet	2	27	6000-018891 Hinge, ash door bottom	1
14	0021-0061 Glass	1			

Parts - Scan-Line 8 -Inside fire chamber



Pos. No.	Name	Qty.
1	0023-0198 Upper baffle 900 Kg / M3	1
2	0023-0199 Baffle	1
3	0023-0200 Back stone top	1
4	0023-0201 Back stone bottom	1
5	0023-0202 Right side stone back	1
6	0023-0203 Left side stone back	1
7	0023-0204 Right side stone front	1
8	0023-0205 Left side stone front	1
9	0030-0023 Casted bottom	1
10	0030-0201 Grate	1
11	1519-0018 Log retainer	1
12	0023 3017 Gasket	0,85 m
13	4018-0053 Ash container	1

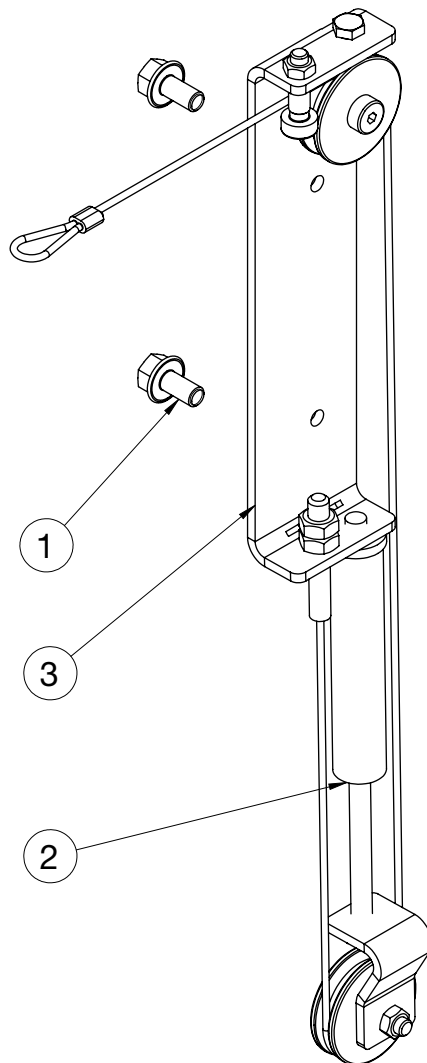
Parts - Scan-Line 8 Side windows - Inside fire chamber



Pos. No.	Name	Qty.
1	0030-0023 Casted bottom	1
2	0030-0201 Casted grate	1
3	1519-0019 Log retainer	1
4	0023-0199 Baffle	1
5	0023-0202 Right side stone back	1
6	0023-0200 Back stone top	1
7	0023-0198 Upper baffle	1
8	0023-0201 Back stone bottom	1
9	0023-0203 Left side stone back	1
10	0023-0206 Sidestone under glas	2
11	0023-0209 Left side stone front	1
12	0023-0208 Right side stone front	1
13	0023 3017 Gasket	0,85 m
14	4018-0053 Ash container	1

Parts - Self-closing system

Pos. No.	Name	Qty.
1	0008-1113 M6 x12 screw with flange	2
2	0025-0151 Gas cylinder	1
3	1500-007090 Gas cylinder, complete	1



Installation Instructions

Contents

2.	Installation instructions	21
2.1	Distance requirements	21
2.2	Floor	21
2.3	Chimney connection	21
2.4	Combustion air and ventilation	22
2.5	Stovedrawings/measurments	22
2.6	Clearances for installation.....	23
2.7	Changing to a back flue outlet - stoves with casted and/or stone cladding	24
2.8	Changing to a back flue outlet - stoves with steel cladding	25
2.9	Connecting direct air below or behind	26
3.	Appendix A.....	26
4.	EU Declaration of Conformity	27

Remember

The stove and chimney installation, must comply with local regulations, including those referring to national and European standards.

2. Installation instructions

The stove installation must be in accordance with national, European and possibly local regulations. You must follow local regulations with regard to installation of chimney and connection to the chimney. We recommend that you let a professional Heta dealer install the stove. Alternatively, you can ask the local chimney sweep before installation. Be aware that it is always the owner himself who has responsibility for ensuring that applicable rules are complied with.

A modern stove places heavy demands on the chimney due to the high efficiency. It may be necessary to enhance or even replace an old chimney.

Remember

1. Always ensure free access to any cleaning doors in a chimney.
2. Always ensure ample fresh air to the room.
3. Exhaust/extraction fans in the house can reduce or create negative draft in the chimney. Reduced draft can lead to the stove having adverse combustion properties. It may result in smoke coming out of the stove when the door is open. A negative draft due to an exhaust/extraction fan can cause the chimney to work in reverse, drawing smoke into the house because of the fan.
4. Any air vents must not be covered.

2.1 Distance Provisions

There is a difference between installation next to flammable wall or non-flammable wall. If the wall is made of non-flammable material, the stove in principle may be placed flush against it.

We recommend a minimum of 5 cm to facilitate air circulation around the stove.

The minimum distance to combustibles can be found on the model plate provided with the stove or on page 15 of this manual.

2.2 Floor

You must ensure that the floor can support the weight of the stove and a top-mounted steel chimney.

In front of the fireplace insert, the substrate must consist of non-combustible material, for ex. Steel/glass plate, stone or tile floor. The size

of the non-combustible surface must follow the applicable national and local regulations. Protecting your floor from embers that may fall out of the oven.

Distances see data table page 10.

Pay special attention to the distance from flammable floor, which is also valid even if there are a steel, glass, stone or tile over flammable materials. It is the floor itself, which must be non-flammable. (Concrete, tile or similar). These stoves can be installed on a 12 mm non-combustible hearth.

2.3 The chimney connection

The chimney opening must follow national and local regulations. However, the area of the opening should never be less than 175 cm², which corresponds to a diameter of 150 mm. If a damper is fitted in the flue gas pipe, there must always be at least 20 cm² of free passage, even when the damper is in its “closed” position.

If local regulations permit, two contained stoves can be connected to the same chimney. However, you must abide by local regulations regarding the distance between the two connections.

The insert stove must never be connected to a chimney that is linked to a gas fire stove.

An efficient stove makes high demand on chimney properties – so always have your local chimney sweep evaluate your chimney.



Connection to a brick chimney

Brick a thimble into the chimney and seat the flue gas pipe in this.

The thimble and flue gas pipe must not penetrate the chimney opening itself, but must be flush with the inside of the chimney duct. Joins between brickwork, the thimble and flue gas pipe must be sealed with fireproof material and / or beading. Heta A/S stresses that it is of utmost importance that this is done correctly with very tight joints. As mentioned earlier, we recommend

that setup and installation be left to a professional Heta dealer.

Connection to a steel chimney

When fitting a connection from a top outlet stove directly to a steel chimney, we recommend fitting the chimney tube inside the flue gas spigot so that any soot and condensation drops into the stove itself rather than collecting on the exterior surface of the stove.

For connections to chimneys that are run through ceilings, all national and local regulations regarding distance to flammable material must be followed. It is important that the chimney is fitted with roof support so that the top panel of the stove is not required to bear the entire weight of the chimney (excessive weight may damage the stove).

2.4

Combustion air and Ventilation

The insert stove is approved as a room air dependent insert stove in accordance with EN 13240. All the combustion air in the inset stove comes from the room in which it is fitted. However, by connecting a sealed air inlet to the insert stove's air intake connector, the stove can be supplied with external combustion air. In this respect, the following requirements must be met:

- Only approved materials may be used from the ventilation unit to the air inlet vent.
- The air inlet vent must be fitted correctly and insulated to prevent formation of condensate. The cross section of the vent and grille must be at least 78 cm².
- If the vent leads out into the open air, please note that the grille must be fitted with suitable wind protection. There must be no risk that the grille can get clogged by leaves, etc.

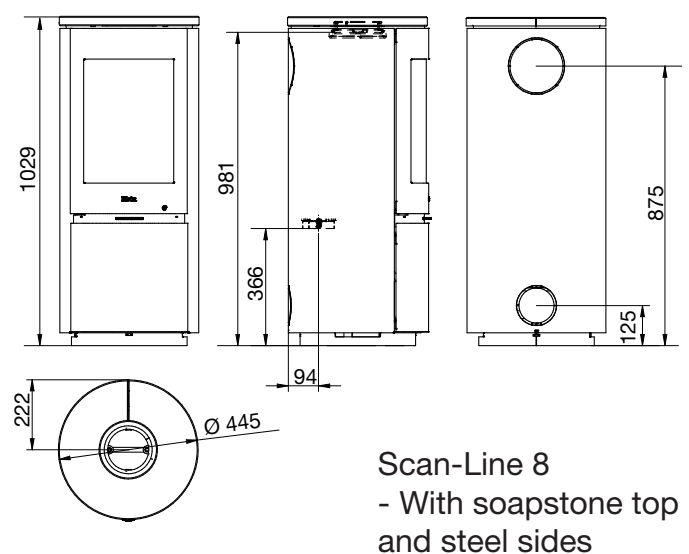
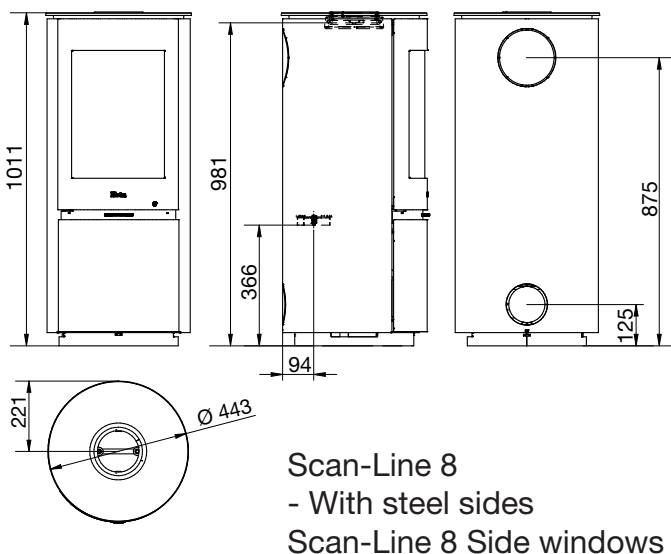
Ventilation

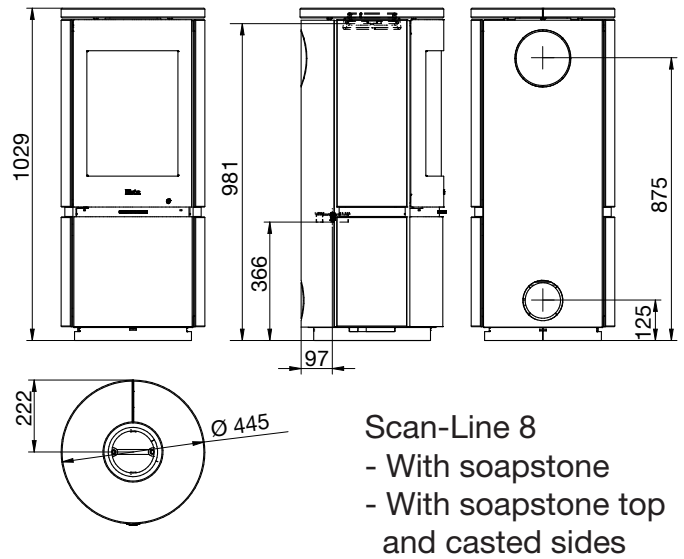
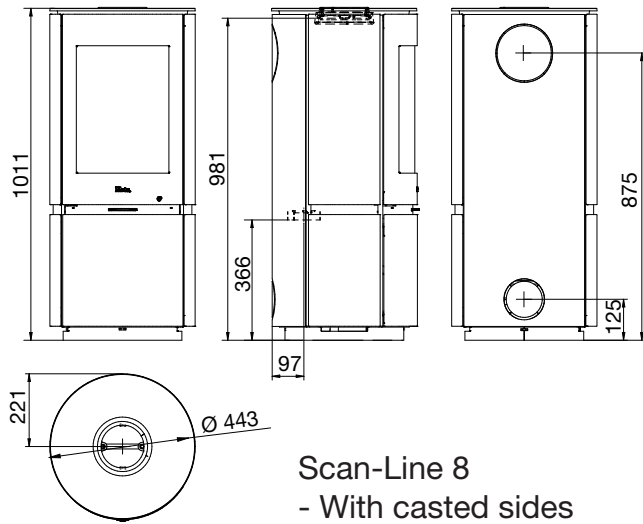
Adequate ventilation must be provided in accordance with building regulations (Doc J Oct 2010) especially when installing in newer build properties when the stove is not going to be installed to an outside air supply.

The Scan-Line 8 has a nominal output of less than 5kW and does not need additional ventilation in older properties where it will be ventilated by natural leakage.

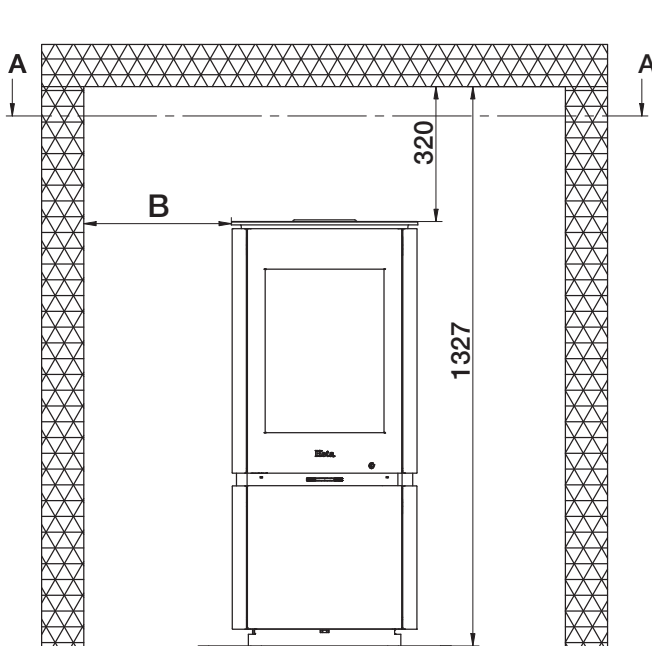
Houses built after 2008 where the air leakage rate is less than 5 m³/hour / m² then a ventilator equivalent to 550 mm² per kW output will be required (4.5 kW x 550 mm = 2475 mm²) unless the stove is connected to an outside fresh air supply.

2.5 Stovedrawings/measurments

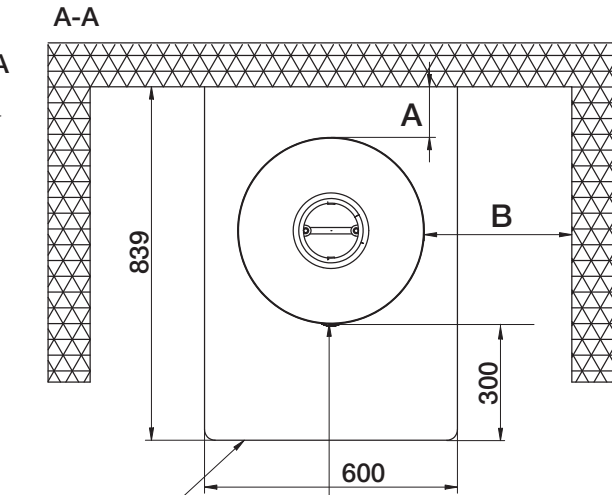




2.6 Clearances for installation EN 13 240



 Combustible material

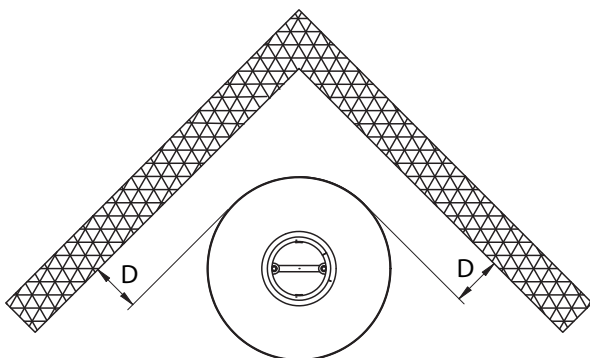


Not combustible

Furnitures



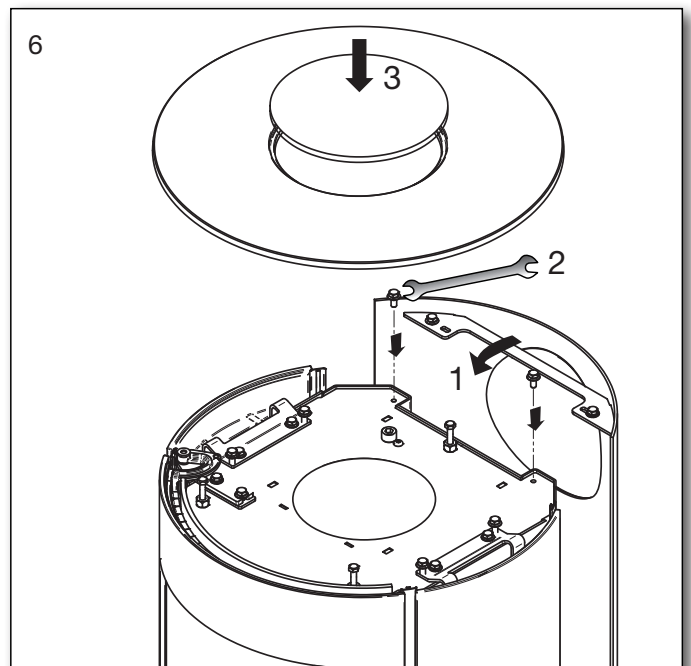
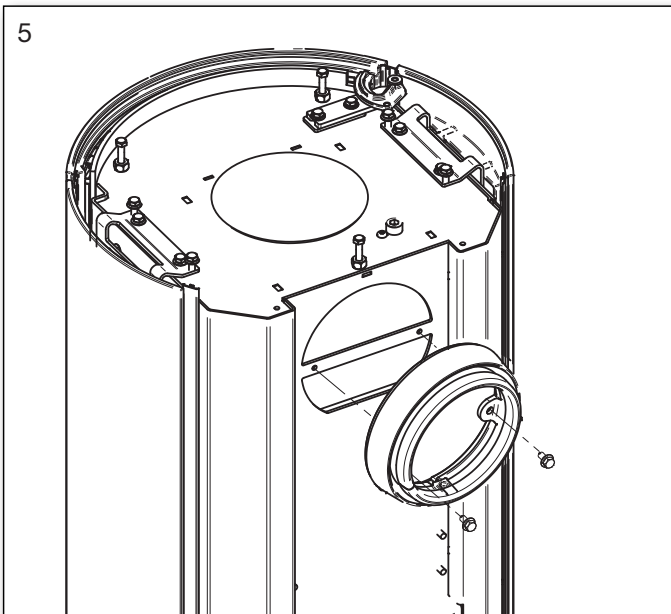
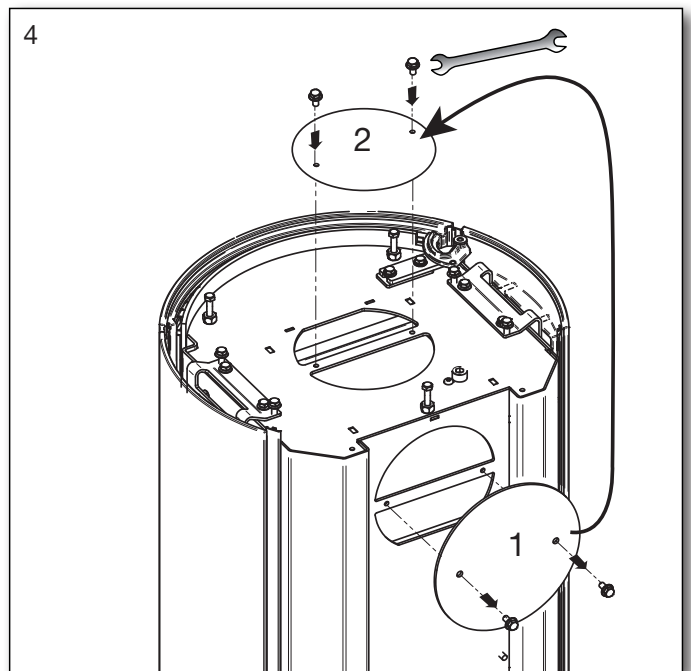
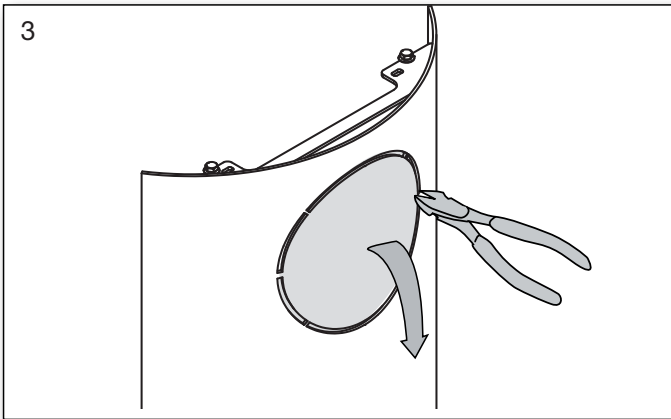
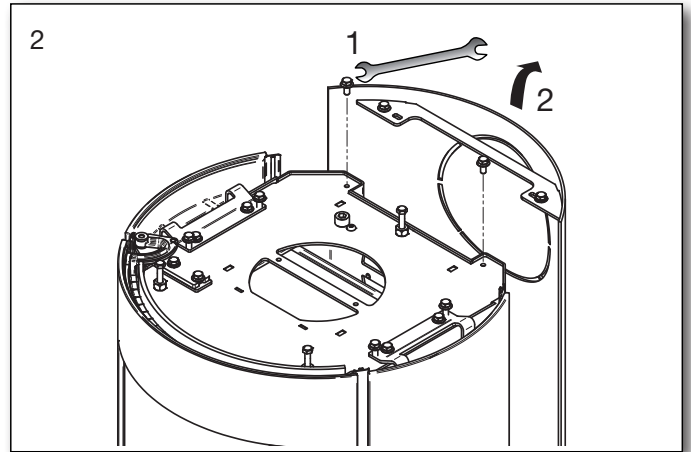
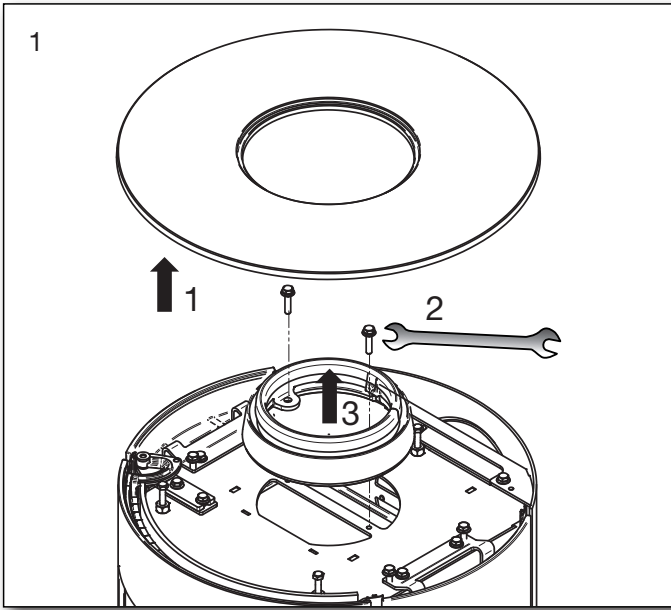
The dimensions are the minimum dimensions, unless otherwise stated.



Clearances for installation

Stove minimum dimensions in mm	Distance to flammable materials			
	A rear the stove	B at the sides	C to furnitures	D Corner distance 45°
Scan-Line 8	120	350	850	120
Scan-Line 8 Side windows	100	400	700	165

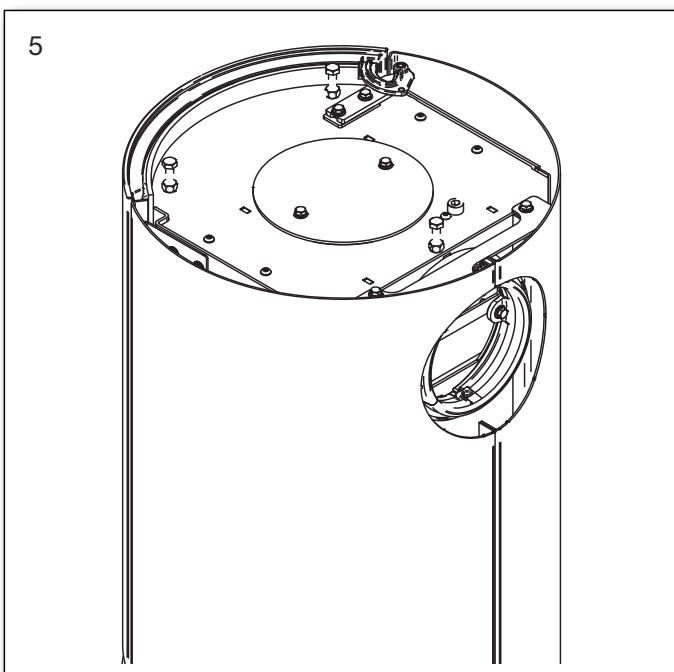
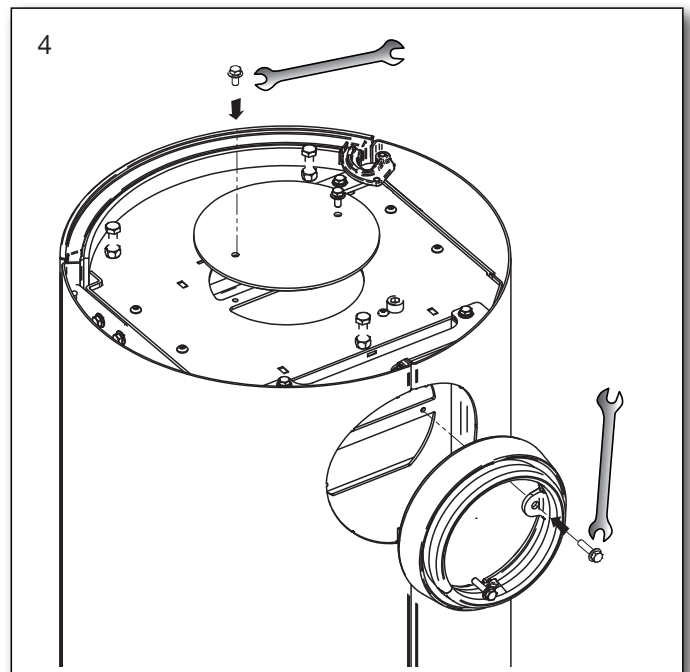
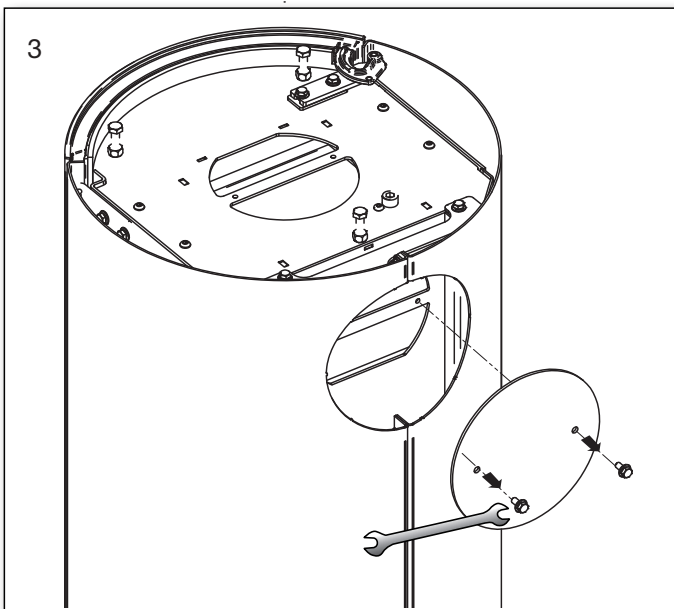
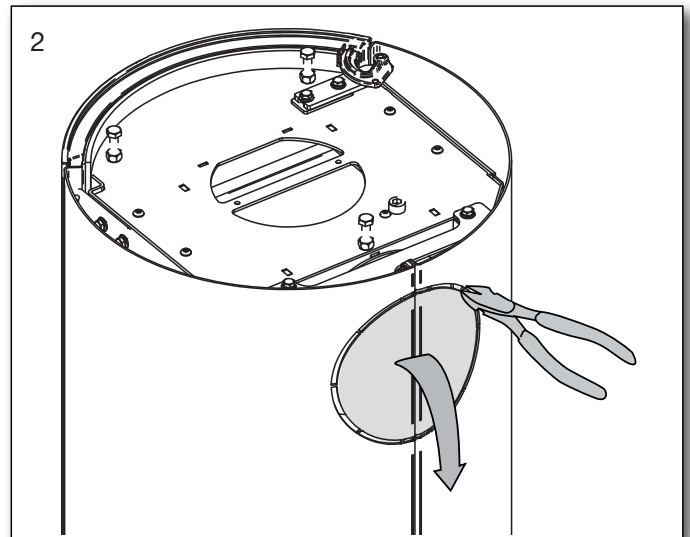
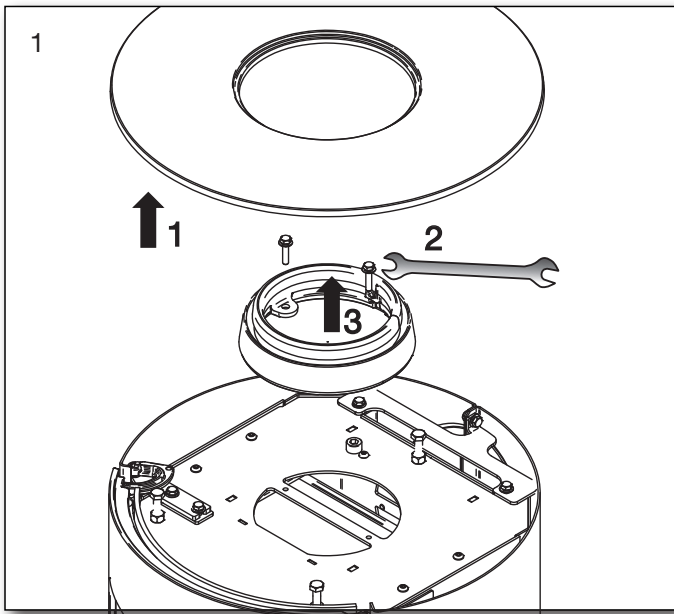
2.7 Changing to a back outlet - stoves with casted and/or stone cladding



Accessory
0030-2410

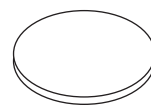


2.8 Changing to a back outlet - stoves with steel cladding



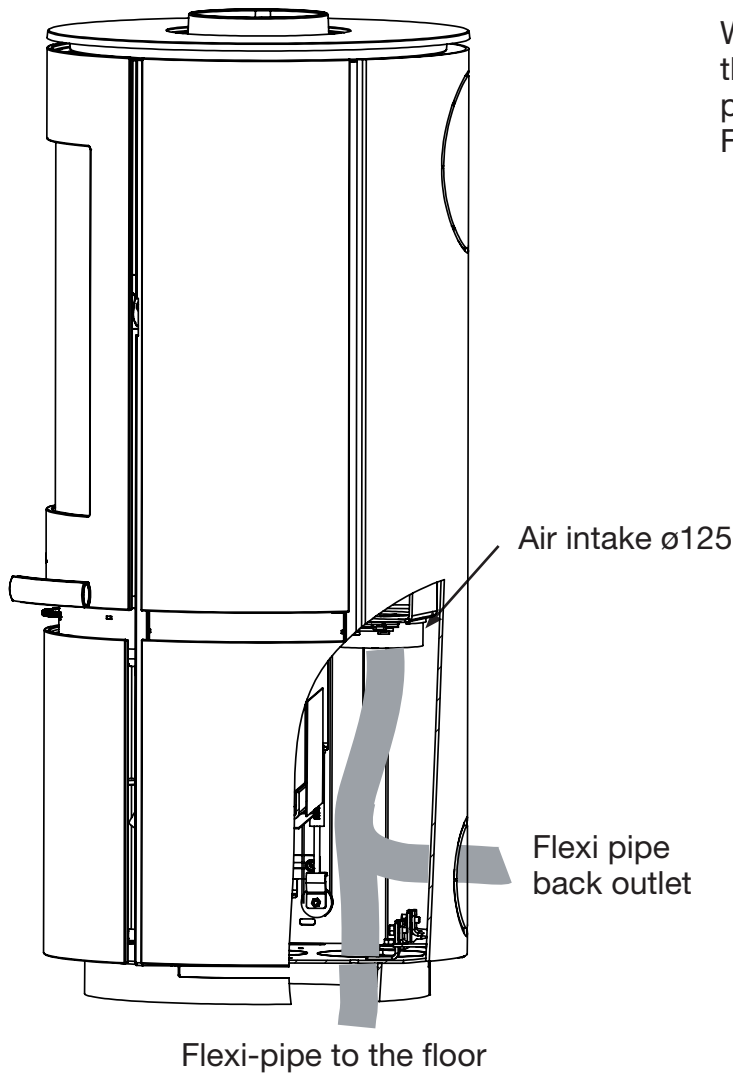
Accessory

0030-2410



2.9 Connecting direct air below or behind

When installing external air supply, connect the air intake to the direct air pipe using flexi-pipe, both from the floor or behind the stove. Flexi-pipe not included.



Direct air supply

The dimensions of the direct air supply pipe, may not be less than $\text{ø}100$ mm, the draught in the flue depends on this air for optimal combustion.

Heta recommends max. 4 meters of direct air pipe, with max. 3, 90° bends and a min. of $\text{ø}100$ mm.

3. Appendix A

The Clean Air Act 1993 and Smoke Control Areas.

Under the Clean Air Act local authorities may declare the whole or part of the district of the authority to be a smoke control area. It is an offence to emit smoke from a chimney of a building, from a furnace or from any fixed boiler if located in a designated smoke control area. It is also an offence to acquire an "unauthorized fuel" for use within a smoke control area unless it is used in an "exempt" appliance ("exempted" from the controls which generally apply in the smoke control area).

In England appliances are exempted by publication on a list by the Secretary of State in accordance with changes made to sections 20 and 21 of the Clean Air Act 1993 by section 15 of the Deregulation Act 2015. Similarly, in Scotland appliances are exempted by publication on a list by Scottish Ministers under section 50 of the Re-

gulatory Reform (Scotland) Act 2014. In Wales and Northern Ireland these are authorized by regulations made by Welsh Ministers and by the Department of the Environment respectively.

Further information on the requirements of the Clean Air Act can be found here:
<https://www.gov.uk/smoke-control-area-rules>

Your local authority is responsible for implementing the Clean Air Act 1993 including designation and supervision of smoke control areas and you can contact them for details of Clean Air Act requirements

The Scan-Line 8 with and without side windows have all been recommended as suitable for use in smoke control areas when burning dry wood logs.

Manufacturer	Heta A/S
Adress	Jupitervej 22, DK 7620 Lemvig
E-mail	heta@heta.dk
Website	www.heta.dk
Telephone	+45 9663 0600

Ecodesign EU Declaration of Conformity

DoC Scan-Line 8 2240-2017

Product fiche



Model identifier	Scan-Line 8, Scan-Line 8 Side windows serie
-------------------------	---

The identified product described above is in conformity with:
The relevant EU harmonized regulations:
DIR 2009/125/EF
REG (EU) 2015/1185
REG (EU) 2015/1186
REG (EU) 2017/1369
REG (EU) 305/2011
The relevant harmonized standards
EN 13240:2001/A2:2004
CEN/TS 15883:2010

Characteristics when operating with the preferred fuel only		
Heat output		
Item	Symbol	Value/Unit
Nominal heat output	P_{nom}	4,7 kW
Minimum heat output	P_{min}	
Useful efficiency (NCV as received)		
Useful efficiency at nominal heat output	$\eta_{th, nom}$	81%
Useful efficiency at minimum heat output	$\eta_{th, min}$	
Auxiliary electricity consumption		
At nominal heat output	el_{max}	- kW
At minimum heat output	el_{min}	- kW
In standby mode	el_{SB}	- kW


Type of heat output/room temperature control	
single stage heat output, no room temperature control	Yes
two or more manual stages, no room temperature control	No
with electronic room temperature control	No
with electronic room temperature control	No
with electronic room temperature control plus day timer	No
with electronic room temperature control plus week timer	No

Other control options	
room temperature control, with presence detection	No
room temperature control, with open window detection	No
with distance control option	No

Notified body relevant to the assessment and verification of constancy of performance
Danish Technological Institute, DK-8000 Aarhus No. 1235. Report no. 300-ELAB-2240-EN Rev. 1

Fuel	Preferred fuel	Other suitable fuel
Wood logs with moisture content $\leq 25\%$	Yes	No
Compressed wood with moisture content $< 12\%$	No	No
Other woody biomass	No	No
Non-woody biomass	No	No
Anthracite and dry steam coal	No	No
Hard coke	No	No
Low temperature coke	No	No
Bituminous coal	No	No
Lignite briquettes	No	No
Peat briquettes	No	No
Blended fossil fuel briquettes	No	No
Blended biomass and fossil fuel briquettes	No	No
Other blend of biomass and solid fuel	No	No

Emissions at nominal heat output	η_s %	mg/Nm ³ (13 % O ₂)			
		PM	OGC	CO	NO _x
		≥ 65	≤ 40	≤ 120	≤ 1500
71	< 3	35	776	99	

Technical documentation	
Indirect heating functionality:	No
Direct heat output:	4,7 kW
Energy Efficiency Index (EEI):	EEI 107
Fluegas temperature at nominal heat output	T 257°C
Energy efficiency class	

Safety		
Reaction to fire	A1	
Test of fire safety in connection with the burning of wood	Approved	
Distance to combustible materials	Minimum distances in mm	
	Scan-Line 8	Scan-Line 8 Side windows
Rear. Without insulation / with insulation	120	100
Sides distance to combustible materials	350	400
Furniture distance	850	700

Signed on behalf the manufacturer of 07.02.2022

The chimney sweep's signature Date _____


 JUPITERVEJ 22 - DK-7620 LEMVIG
 TLF. +45 9663 0600 - FAX +45 9663 0616
 Martin Bach

Signature _____

